



VICTORY4X4

TABLE OF CONTENTS

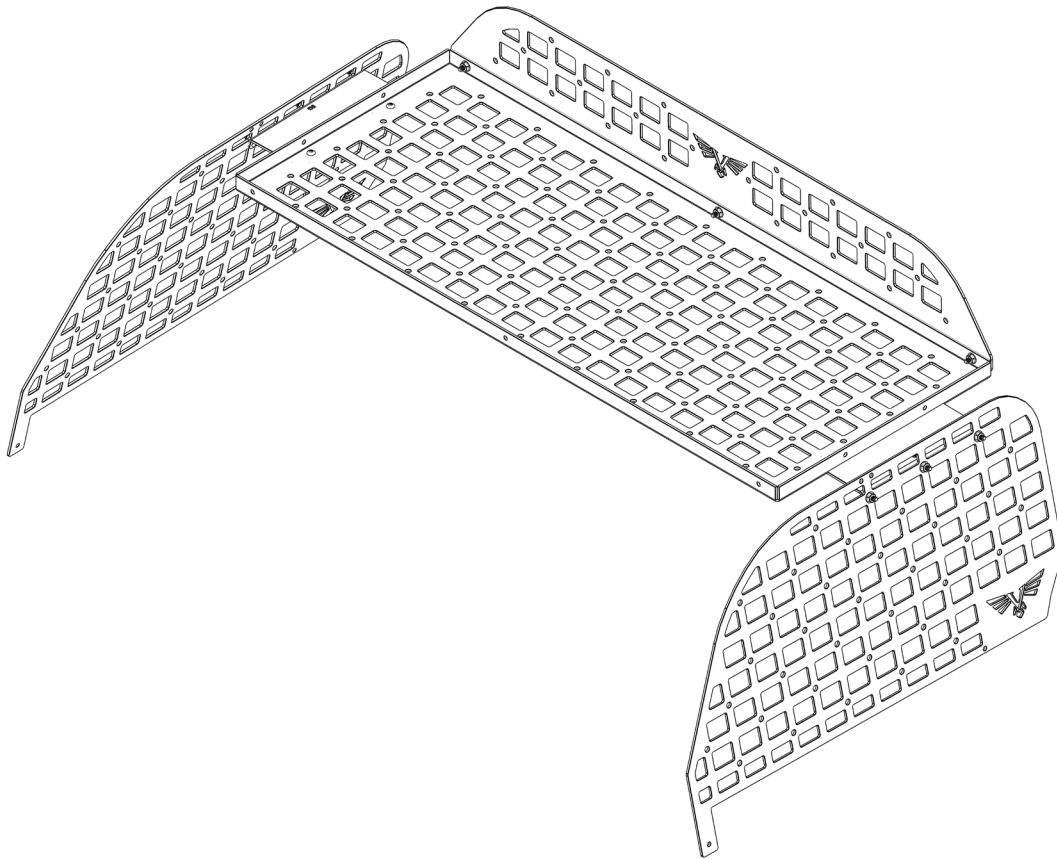
5TH GEN 4RUNNER UPPER SHELF.....	2
4TH GEN 4RUNNER UPPER SHELF.....	8
3RD GEN 4RUNNER UPPER SHELF.....	14
GX 460 UPPER SHELF.....	20
GX 470 UPPER SHELF.....	26
100 SERIES LAND CRUISER UPPER SHELF.....	32
200 SERIES LAND CRUISER UPPER SHELF.....	38



VICTORY 4X4

5TH GEN 4RUNNER UPPER SHELF

INSTALL INSTRUCTIONS



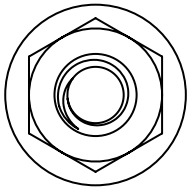
Please read the mounting instructions below carefully before attempting to install.

Be sure to check out the install video on the product page, if available.

Thank you for purchasing from Victory 4x4! Checkout our website, victory4x4.com for other great off-road products. Be sure to rate and review our product online. If you have any questions or are missing parts, please don't hesitate to call us at 269-459-8447!

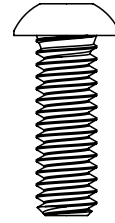
INCLUDED HARDWARE

13x



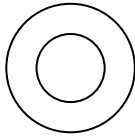
1/4"-20
Serr. Flange Nut

13x



1/4"-20 X 3/4"
Button Head

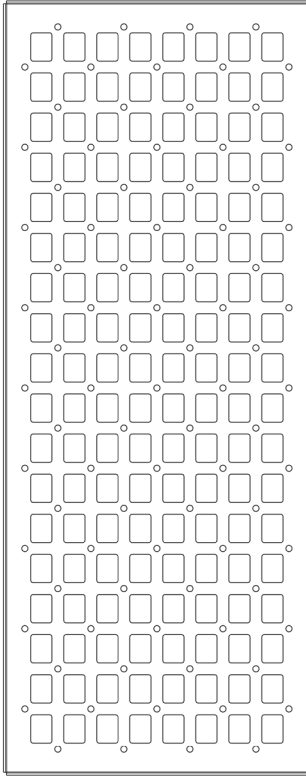
13x



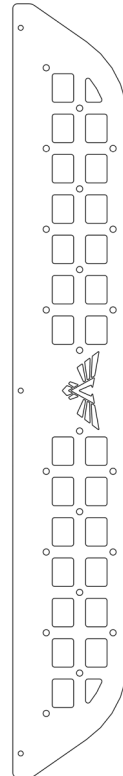
1/4"
Washer

INCLUDED PARTS

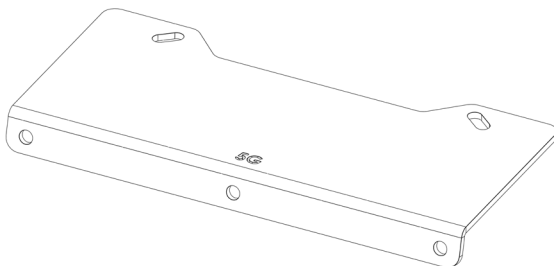
1x



1x

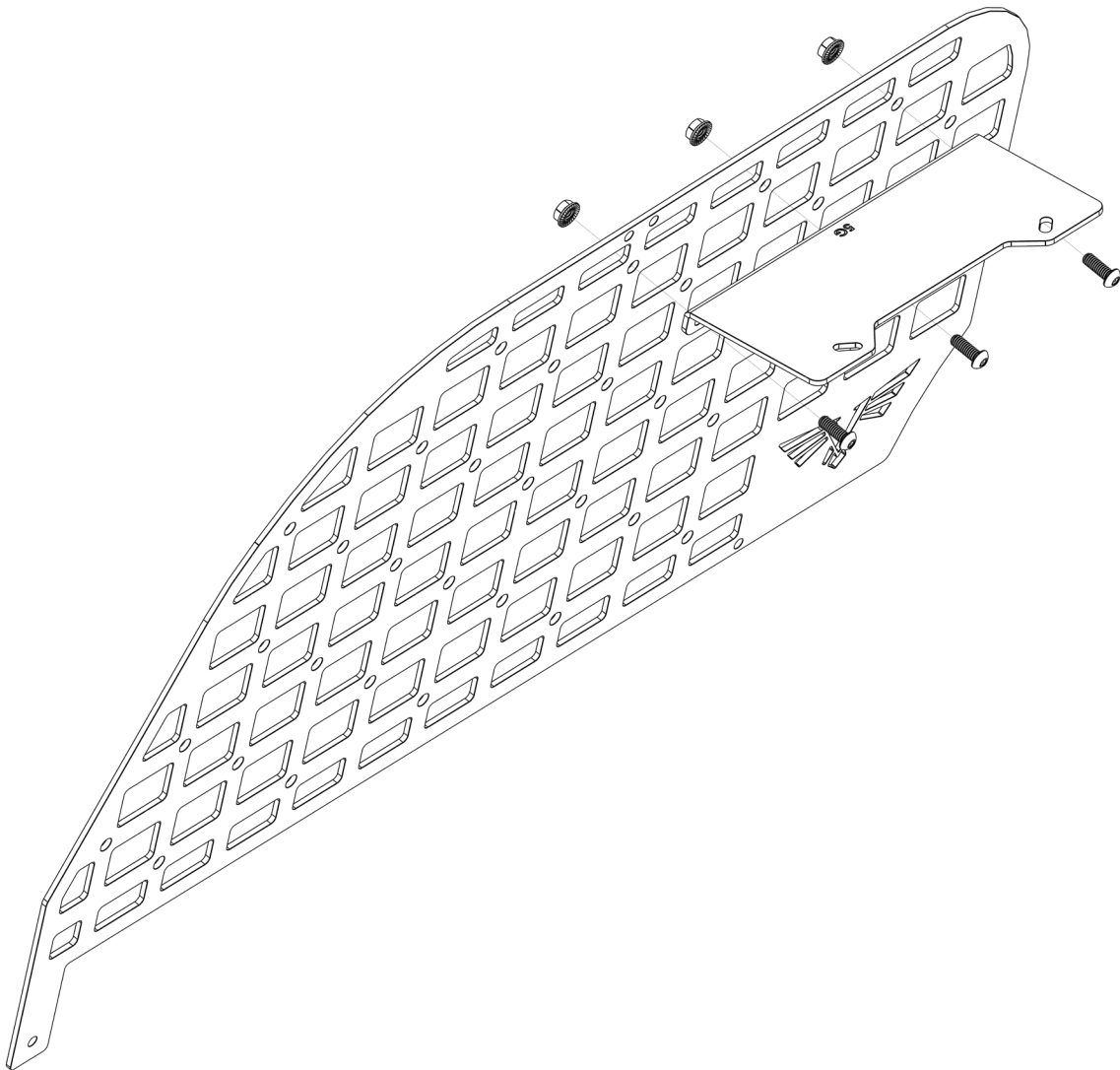


2x



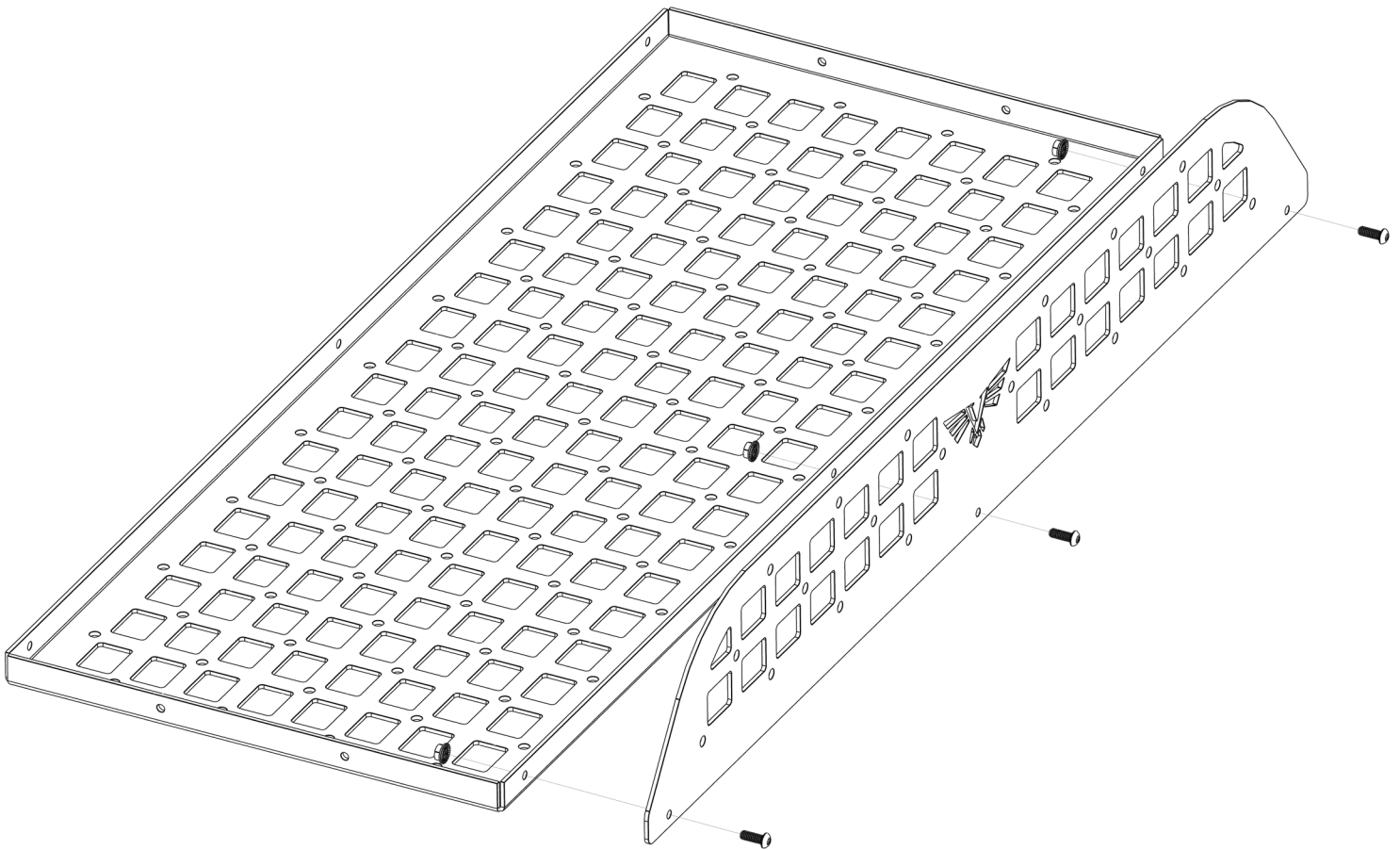
INSTALLATION

- 1** Start by installing the mounts onto the Rear Window MOLLE Panels. Do this using three 1/4"-20 X 3/4" button head bolts, 1/4" washers and 1/4"-20 serr. flange nuts per mount. Mount them to the top row of holes on the panels, using all holes except for the one closest to the hatch of the vehicle.



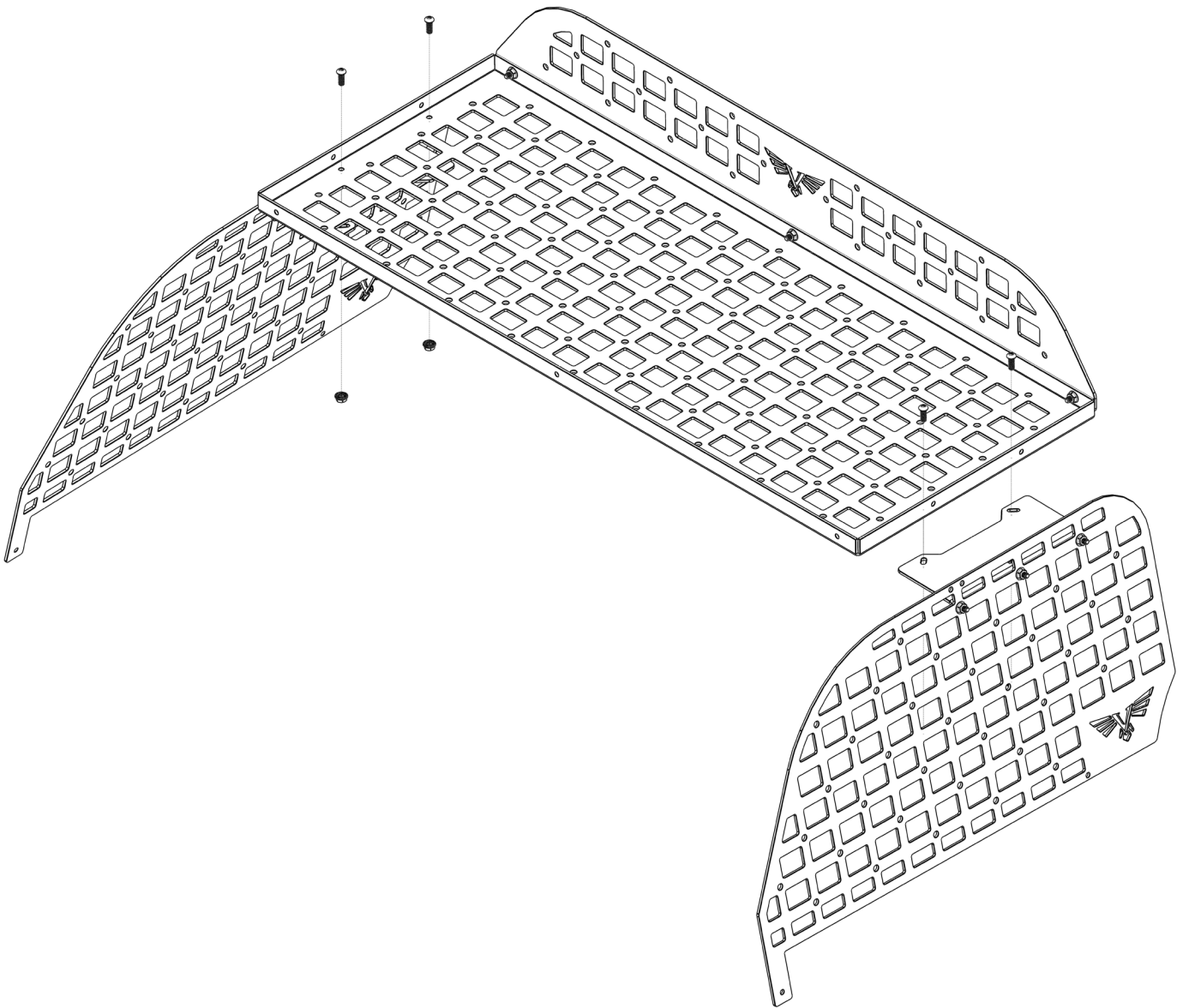
INSTALLATION

- 2 Next, attach the front panel to the basket using three 1/4"-20 X 3/4" button head bolts, 1/4" washers and 1/4"-20 serr. flange nuts.



INSTALLATION

- 3 Finally, raise the basket up between the two mounts and attach them together using two 1/4"-20 X 3/4" button head bolts, 1/4" washers and 1/4"-20 serr. flange nuts per side.

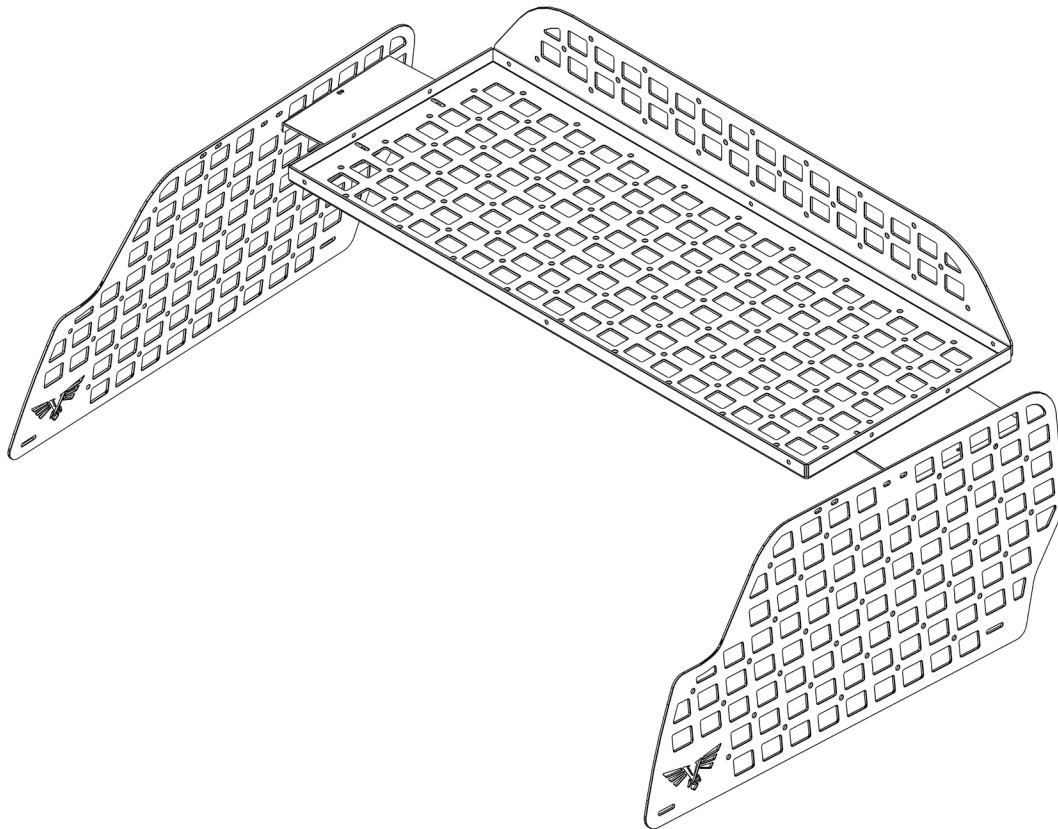




VICTORY4X4

4TH GEN 4RUNNER UPPER SHELF

INSTALL INSTRUCTIONS



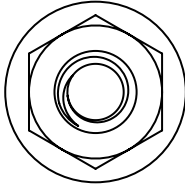
Please read the mounting instructions below carefully before attempting to install.

Be sure to check out the install video on the product page, if available.

Thank you for purchasing from Victory 4x4! Checkout our website, victory4x4.com for other great off-road products. Be sure to rate and review our product online. If you have any questions or are missing parts, please don't hesitate to call us at 269-459-8447!

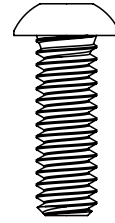
INCLUDED HARDWARE

13x



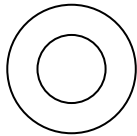
1/4"-20
Serr. Flange Nut

13x



1/4"-20 X 3/4"
Button Head

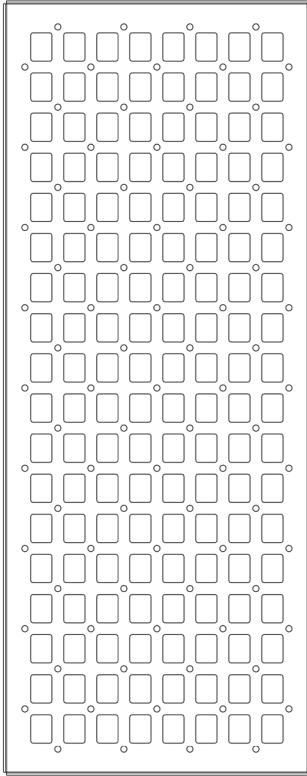
13x



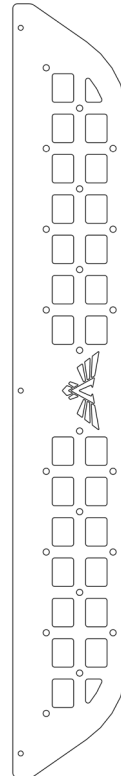
1/4"
Washer

INCLUDED PARTS

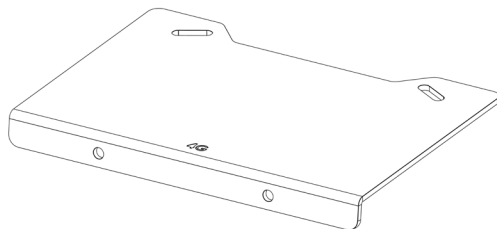
1x



1x

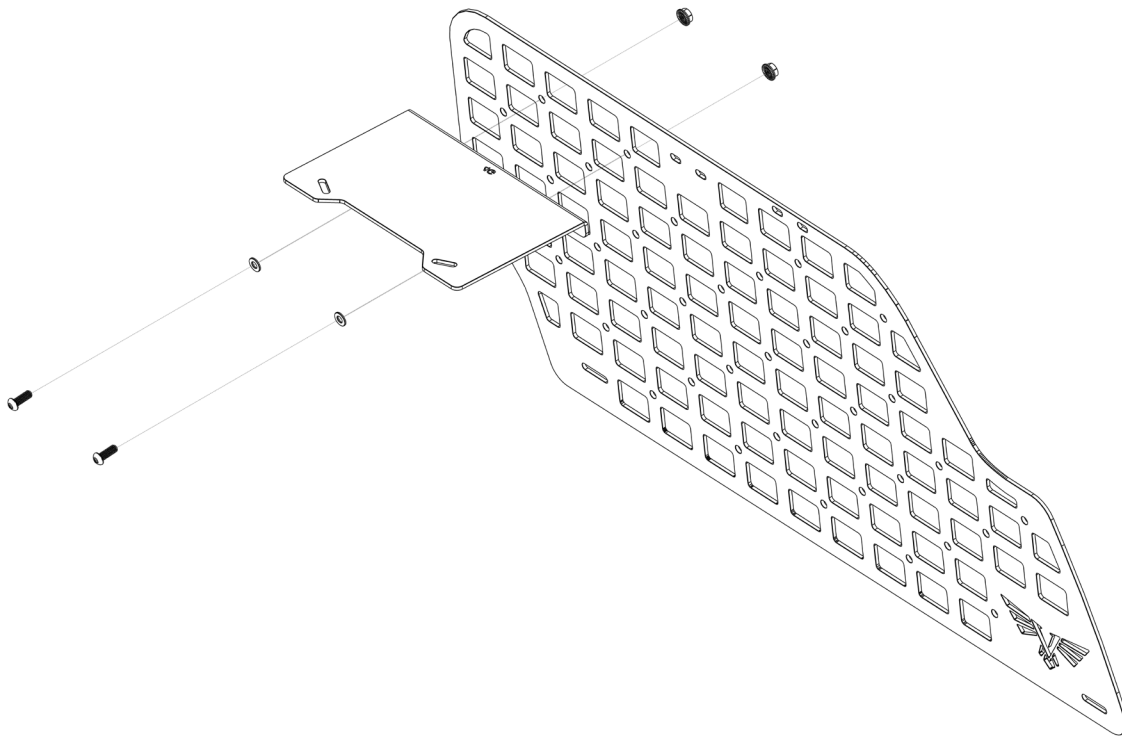


2x



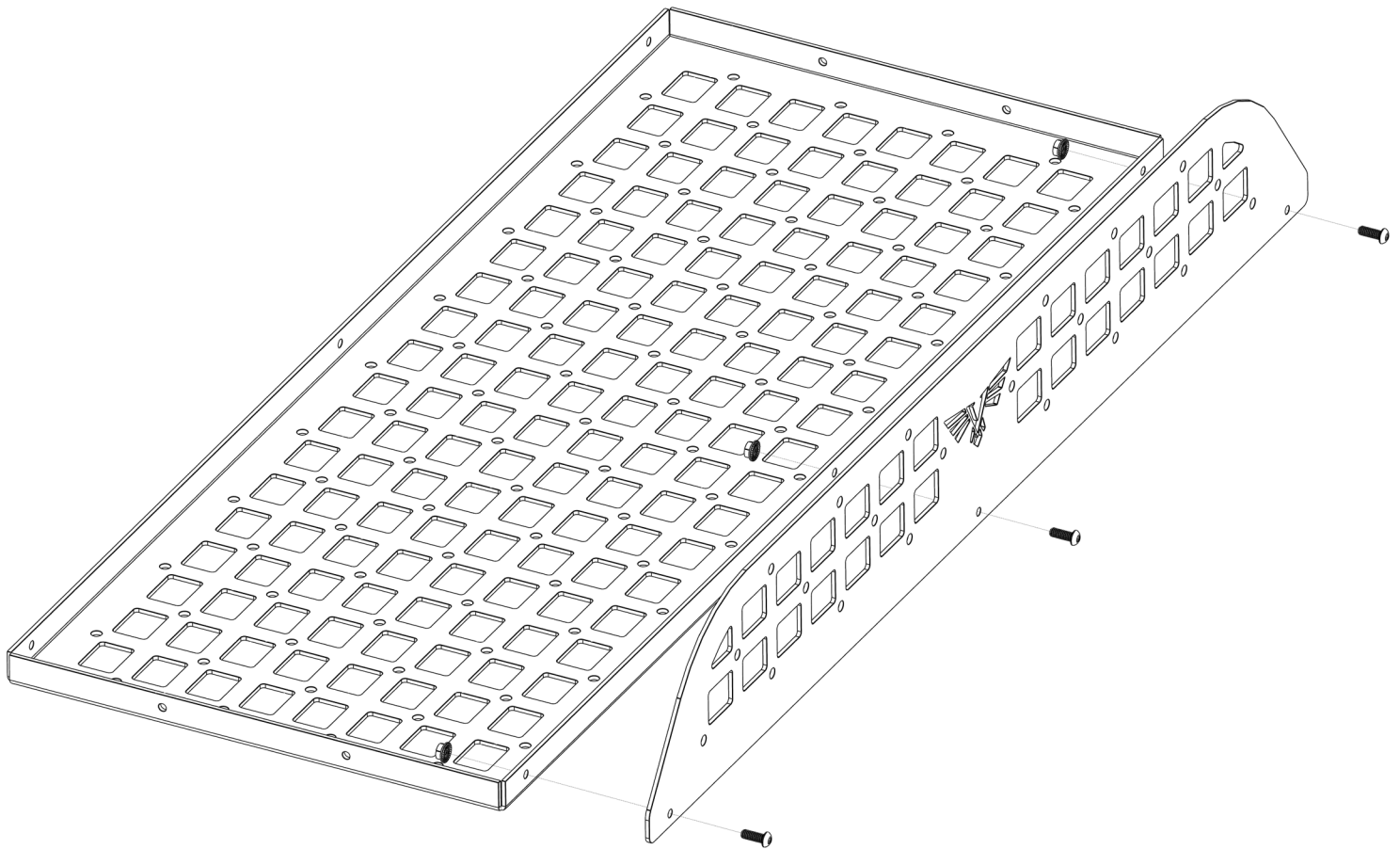
INSTALLATION

- 1.** Start by installing the mounts onto the Rear Window MOLLE Panels. Do this using two 1/4"-20 X 3/4" button head bolts, 1/4" washers and 1/4"-20 serr. flange nuts per mount. Mount them to the first row of holes on the top of the panels, using the first and second holes from the front.



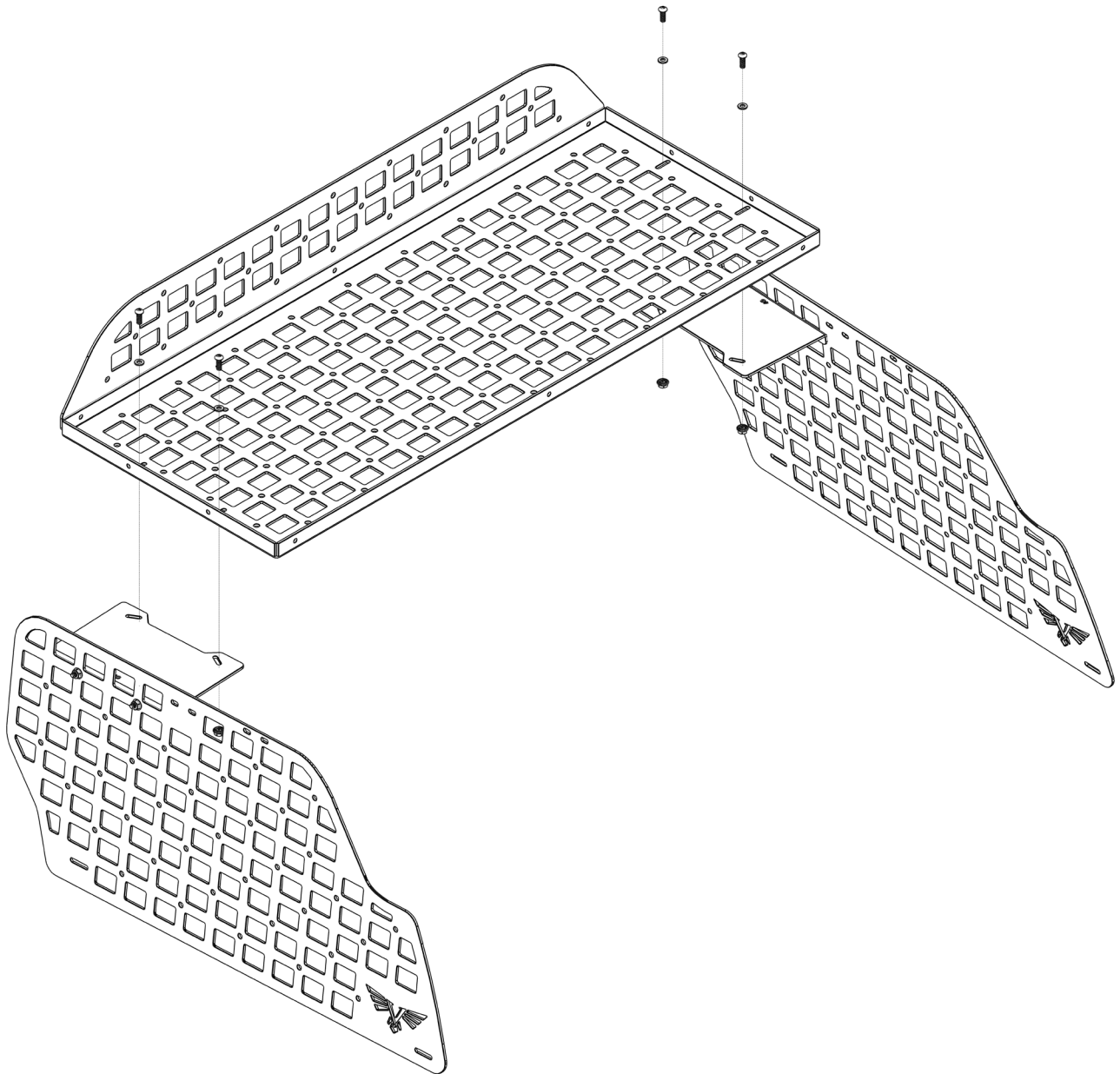
INSTALLATION

2. Next, attach the front panel to the basket using three 1/4"-20 X 3/4" button head bolts, 1/4" washers and 1/4"-20 serr. flange nuts.



INSTALLATION

3. Finally, raise the basket up between the two mounts and attach them together using two 1/4"-20 X 3/4" button head bolts, 1/4" washers and 1/4"-20 serr. flange nuts per side.

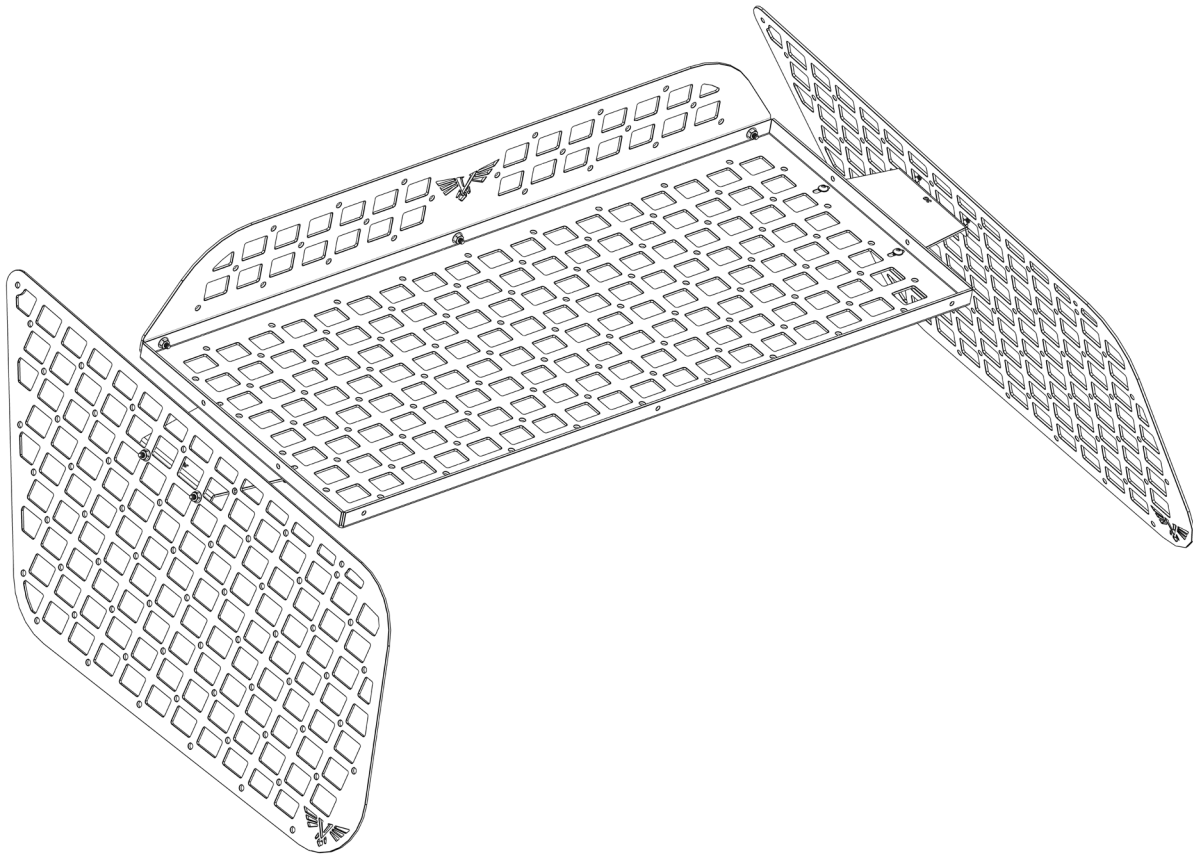




VICTORY 4X4

3RD GEN 4RUNNER UPPER SHELF

INSTALL INSTRUCTIONS



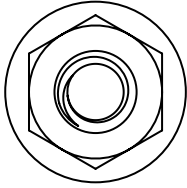
Please read the mounting instructions below carefully before attempting to install.

Be sure to check out the install video on the product page, if available.

Thank you for purchasing from Victory 4x4! Checkout our website, victory4x4.com for other great off-road products. Be sure to rate and review our product online. If you have any questions or are missing parts, please don't hesitate to call us at 269-459-8447!

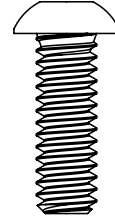
INCLUDED HARDWARE

11x



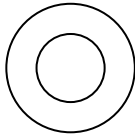
1/4"-20
Serr. Flange Nut

11x



1/4"-20 X 3/4"
Button Head

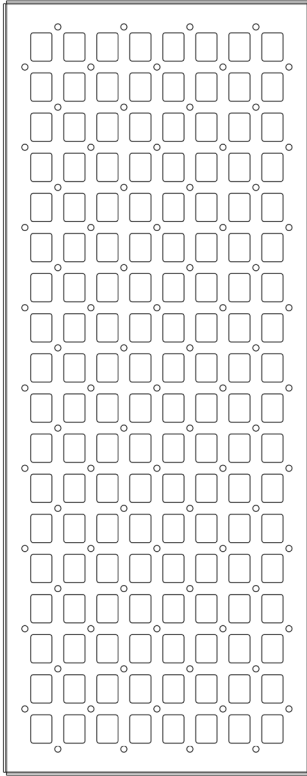
11x



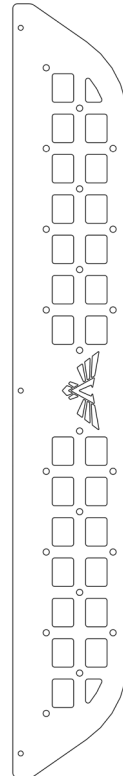
1/4"
Washer

INCLUDED PARTS

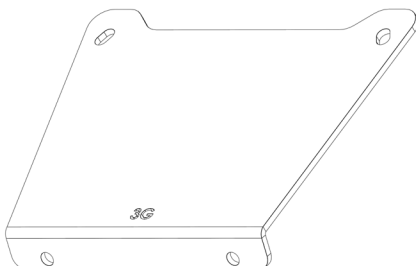
1x



1x

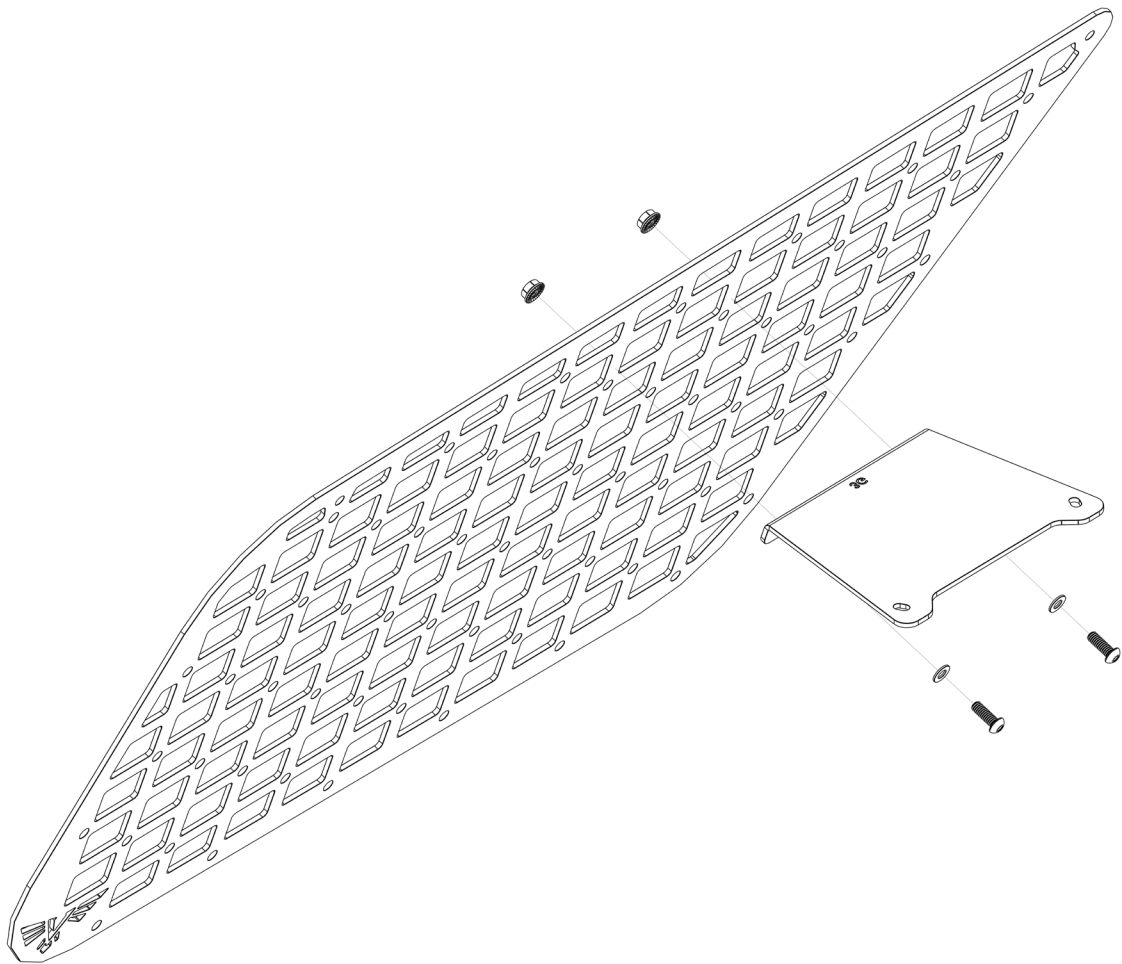


2x



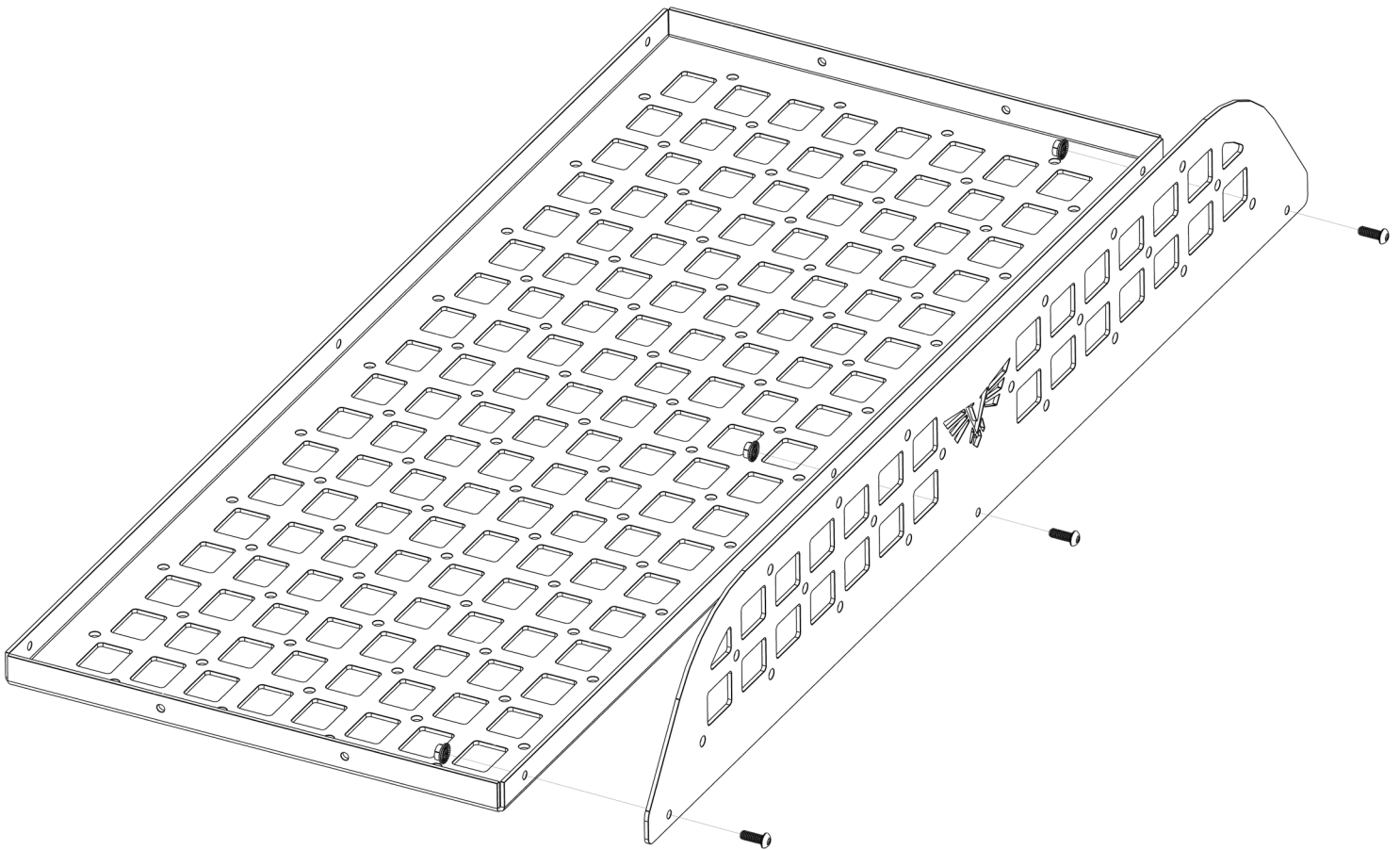
INSTALLATION

- 1** Start by installing the mounts onto the Rear Window MOLLE Panels. Do this using two 1/4"-20 X 3/4" button head bolts, 1/4" washers and 1/4"-20 serr. flange nuts per mount. Mount them to the second row of holes from the top of the panels, using the third and fourth holes from the front.



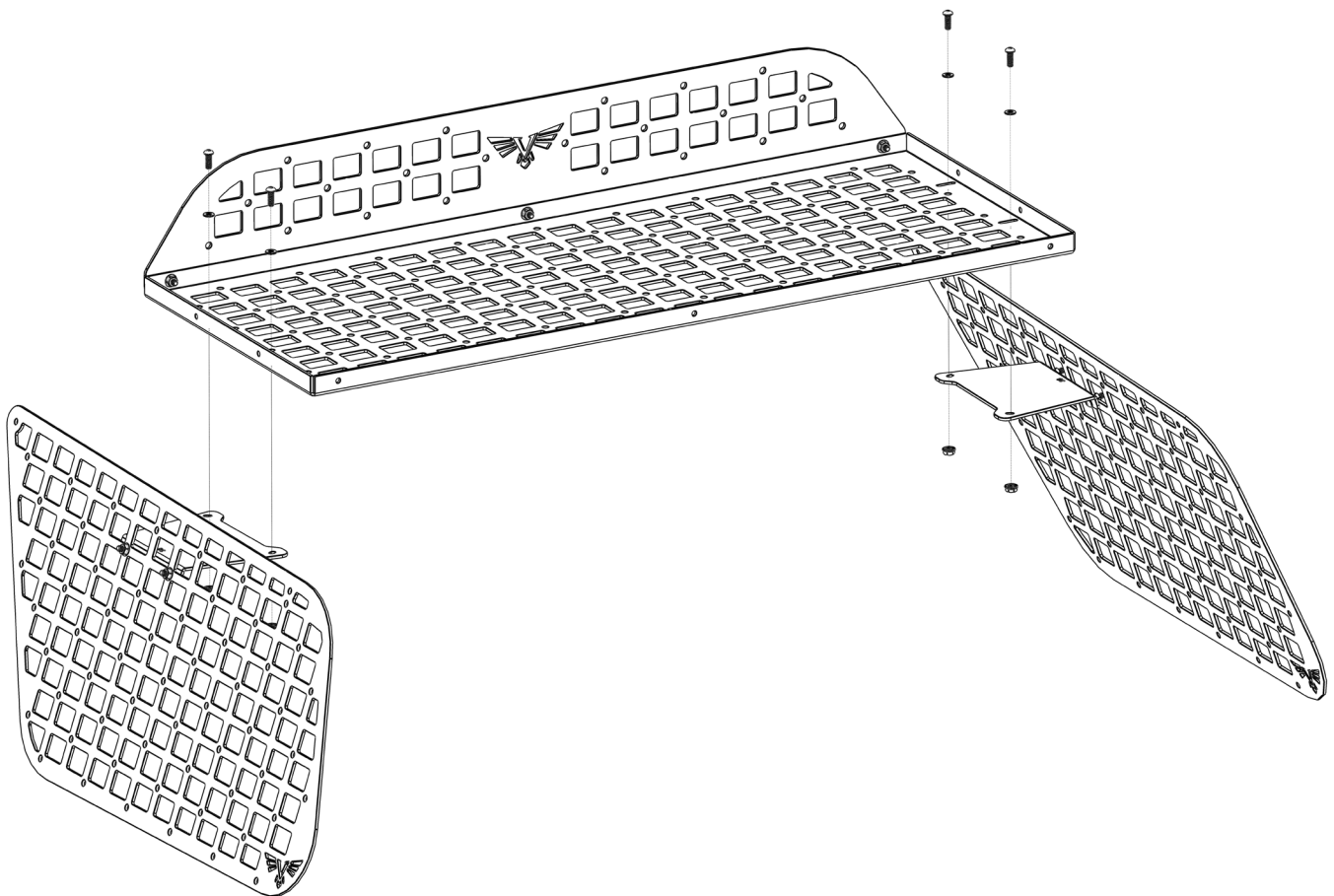
INSTALLATION

- Next, attach the front panel to the basket using three 1/4"-20 X 3/4" button head bolts, 1/4" washers and 1/4"-20 serr. flange nuts.



INSTALLATION

- 3 Finally, raise the basket up between the two mounts and attach them together using two 1/4"-20 X 3/4" button head bolts, 1/4" washers and 1/4"-20 serr. flange nuts per side.



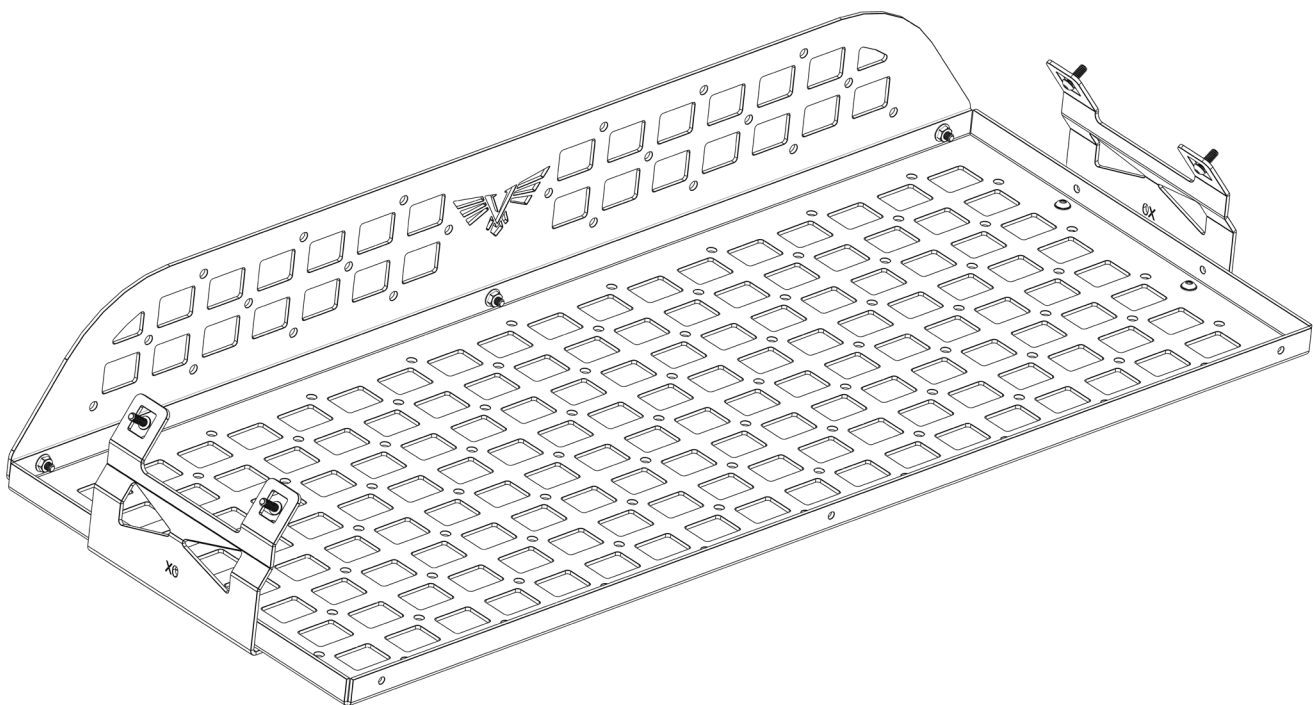


VICTORY 4X4

GX 460

UPPER SHELF

INSTALL INSTRUCTIONS



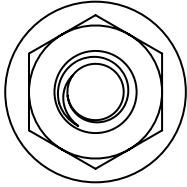
Please read the mounting instructions below carefully before attempting to install.

Be sure to check out the install video on the product page, if available.

Thank you for purchasing from Victory 4x4! Checkout our website, victory4x4.com for other great off-road products. Be sure to rate and review our product online. If you have any questions or are missing parts, please don't hesitate to call us at 269-459-8447!

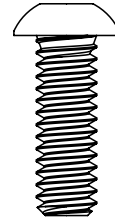
INCLUDED HARDWARE

7x



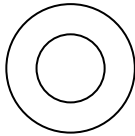
1/4"-20
Serr. Flange Nut

7x



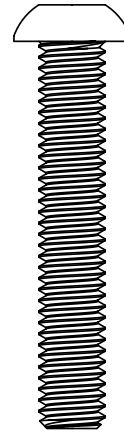
1/4"-20 X 3/4"
Button Head

7x



1/4"
Washer

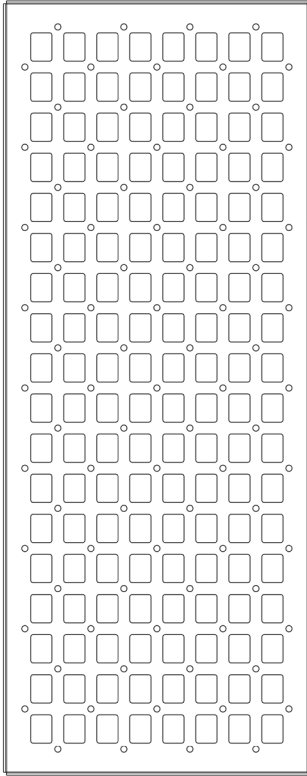
4x



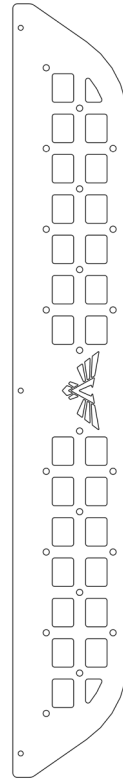
35 mm M6
Button Head

INCLUDED PARTS

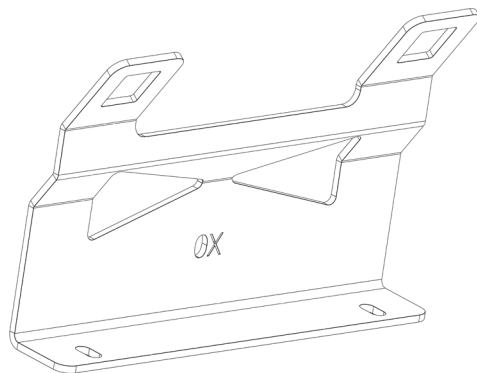
1x



1x

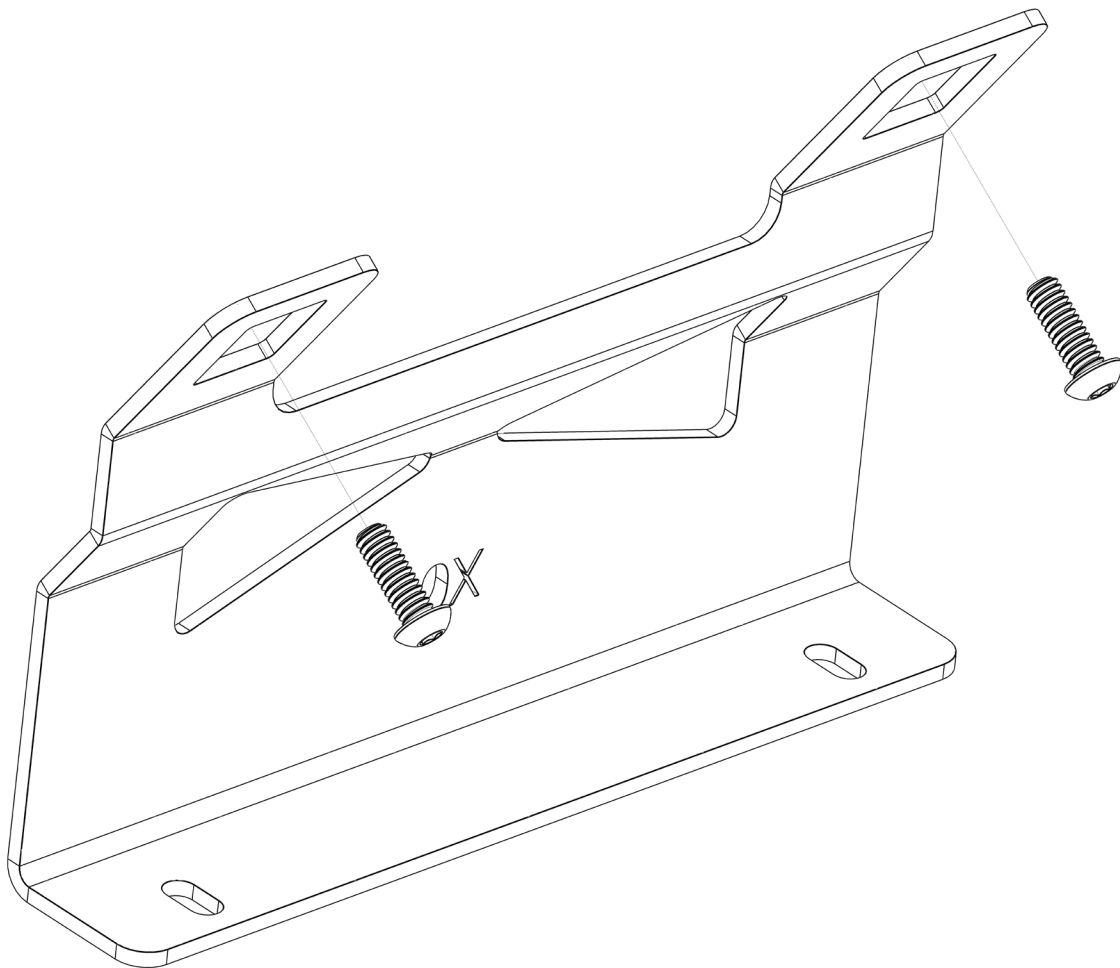


2x



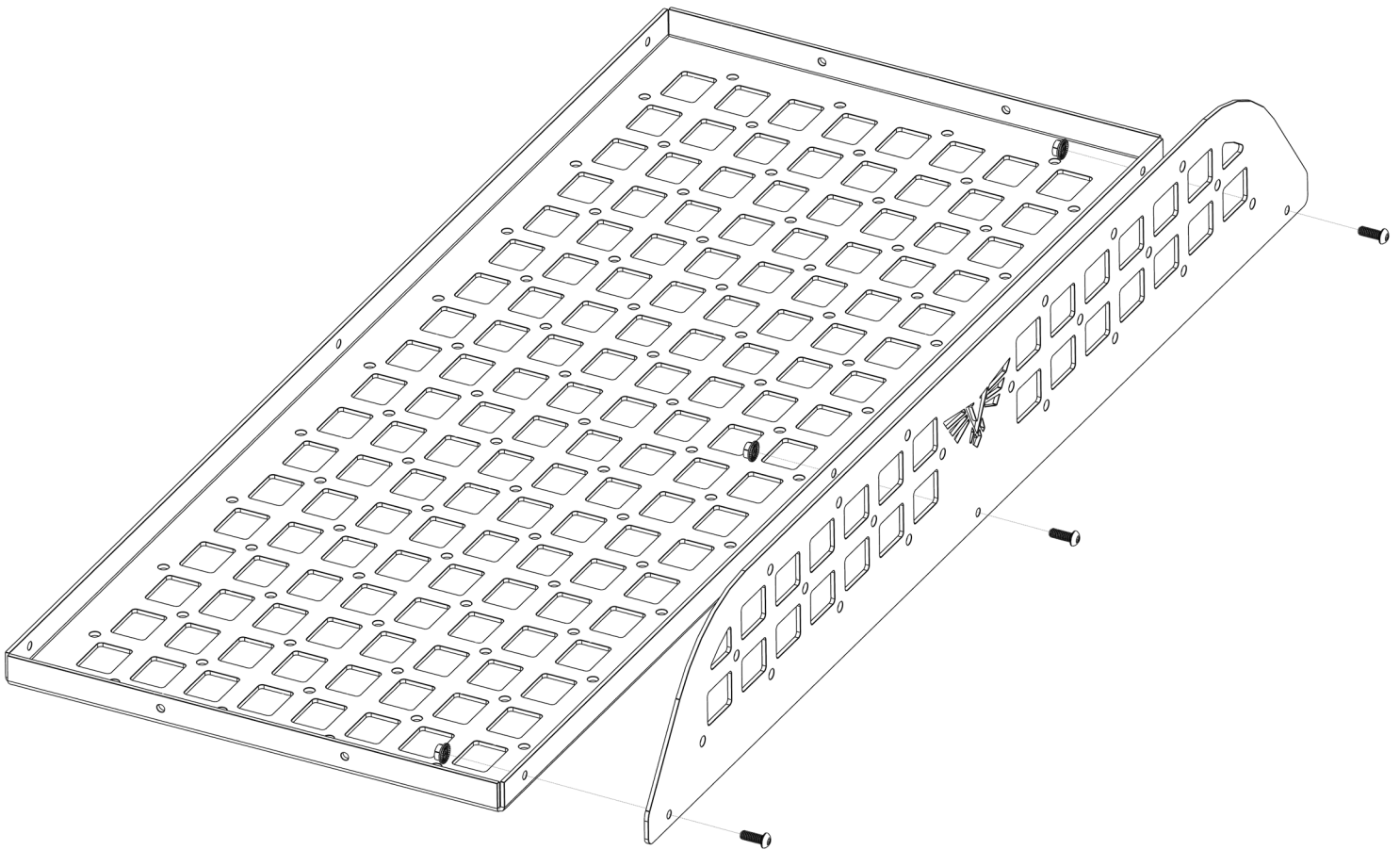
INSTALLATION

- 1** Start by installing the mounts onto the handles on the ceiling of the cargo area. To do so you will need to first take them off. To do this, find the seams on either side of each handle and pop the outer covers off. It may be helpful to use something like a plastic pry tool but can be done by hand. Then simply take out the factory bolts. Then, pop the handles into the square cutouts in the mounting brackets and reinstall them using the provided 35 mm M6 button head bolts.



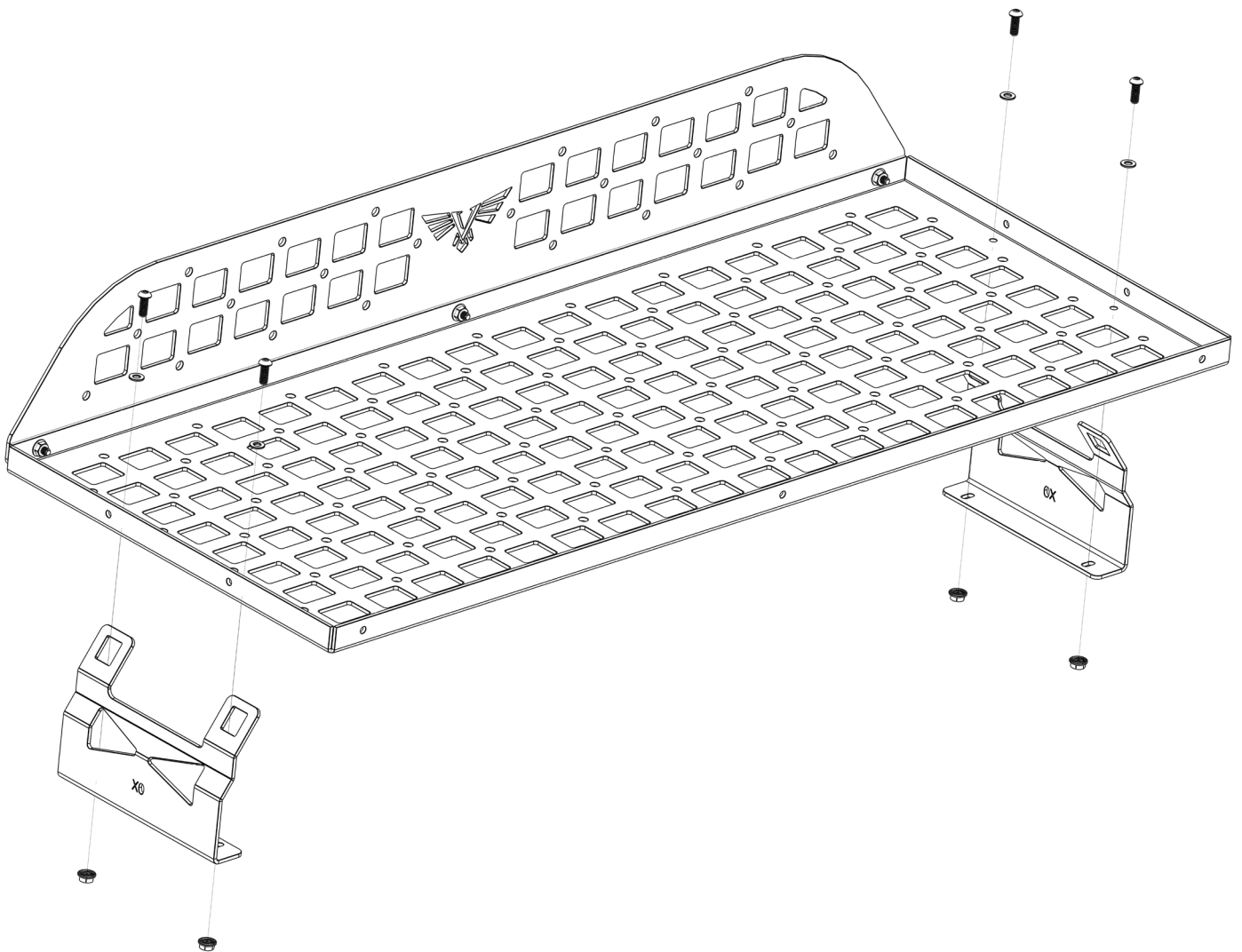
INSTALLATION

- Next, attach the front panel to the basket using three 1/4"-20 X 3/4" button head bolts, 1/4" washers and 1/4"-20 serr. flange nuts.



INSTALLATION

- 3** Finally, set the basket on the lip of the two mounts and attach them together using two 1/4"-20 X 3/4" button head bolts, 1/4" washers and 1/4"-20 serr. flange nuts per side.



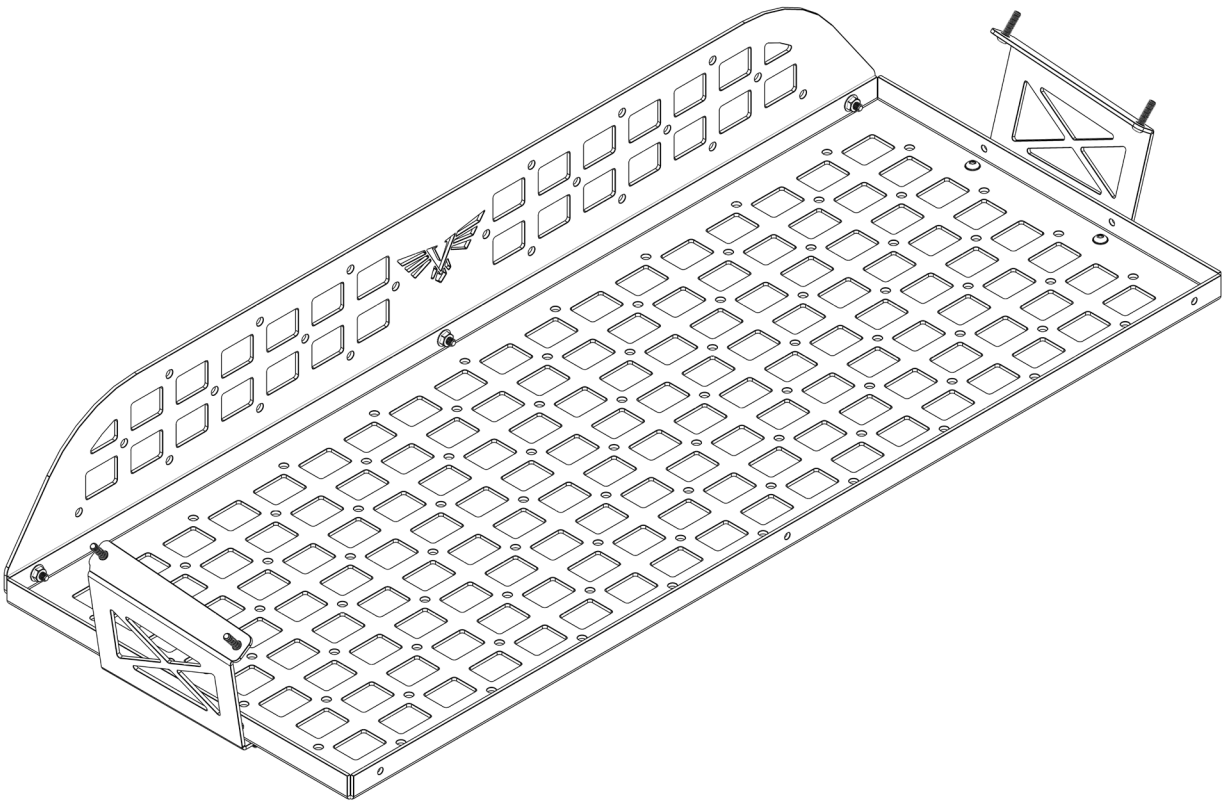


VICTORY 4X4

GX 470

UPPER SHELF

INSTALL INSTRUCTIONS



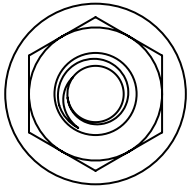
Please read the mounting instructions below carefully before attempting to install.

Be sure to check out the install video on the product page, if available.

Thank you for purchasing from Victory 4x4! Checkout our website, victory4x4.com for other great off-road products. Be sure to rate and review our product online. If you have any questions or are missing parts, please don't hesitate to call us at 269-459-8447!

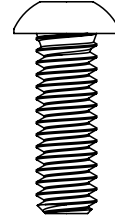
INCLUDED HARDWARE

7x



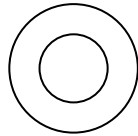
1/4"-20
Serr. Flange Nut

7x



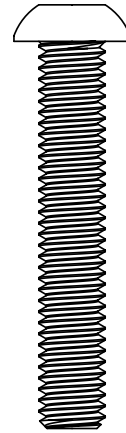
1/4"-20 X 3/4"
Button Head

7x



1/4"
Washer

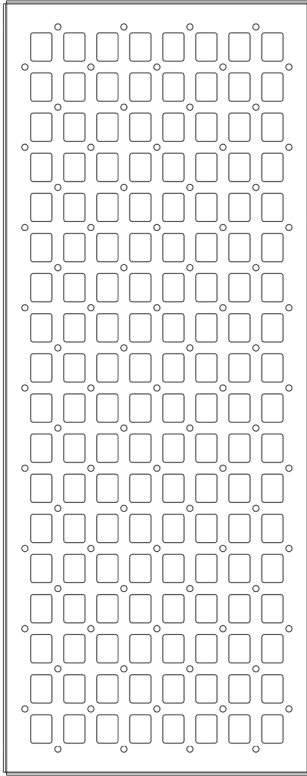
4x



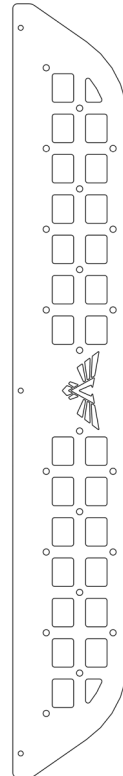
35 mm M6
Button Head

INCLUDED PARTS

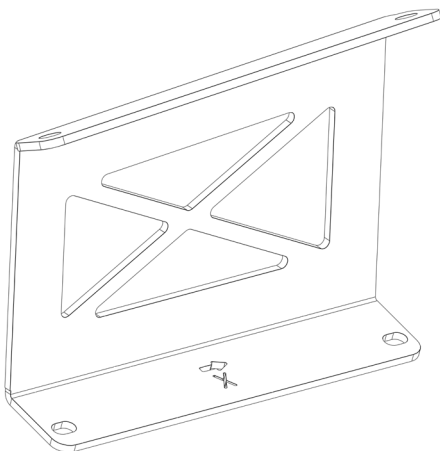
1x



1x

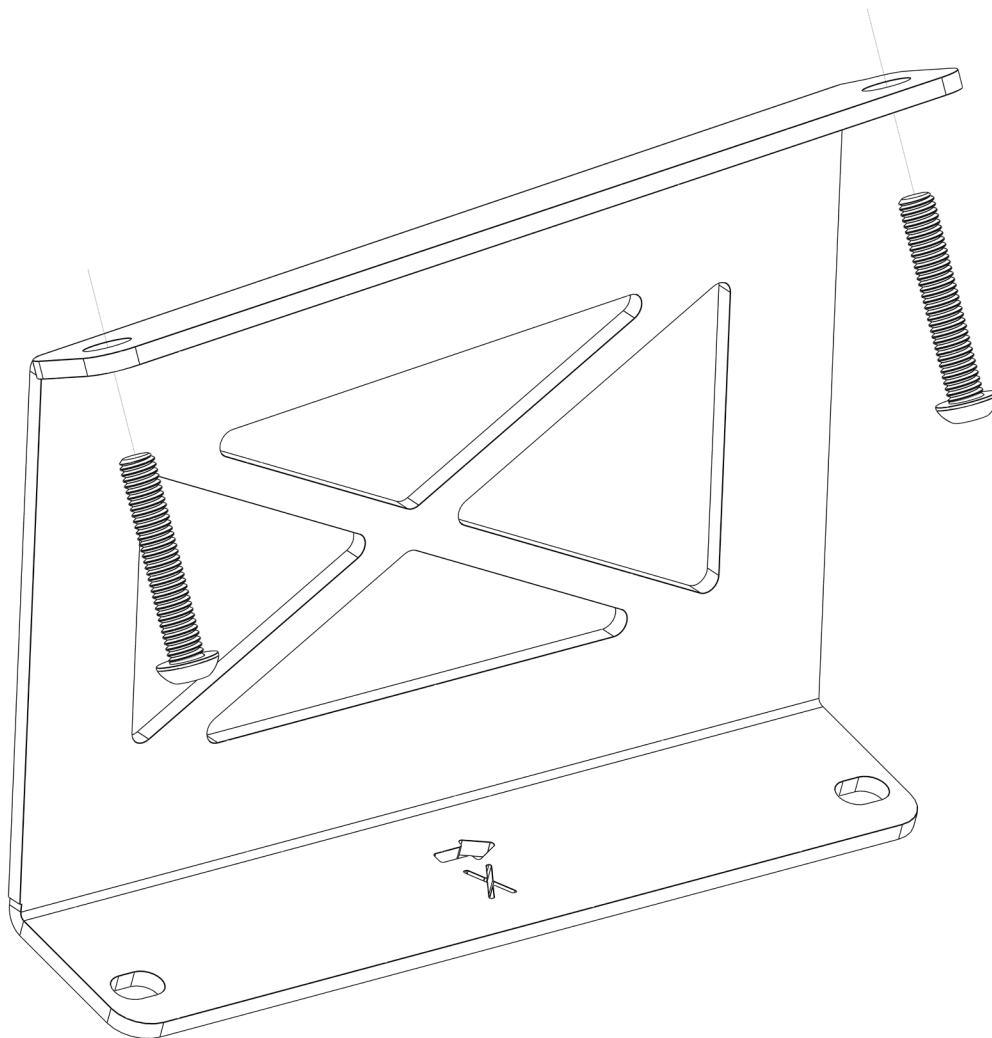


1L/1R



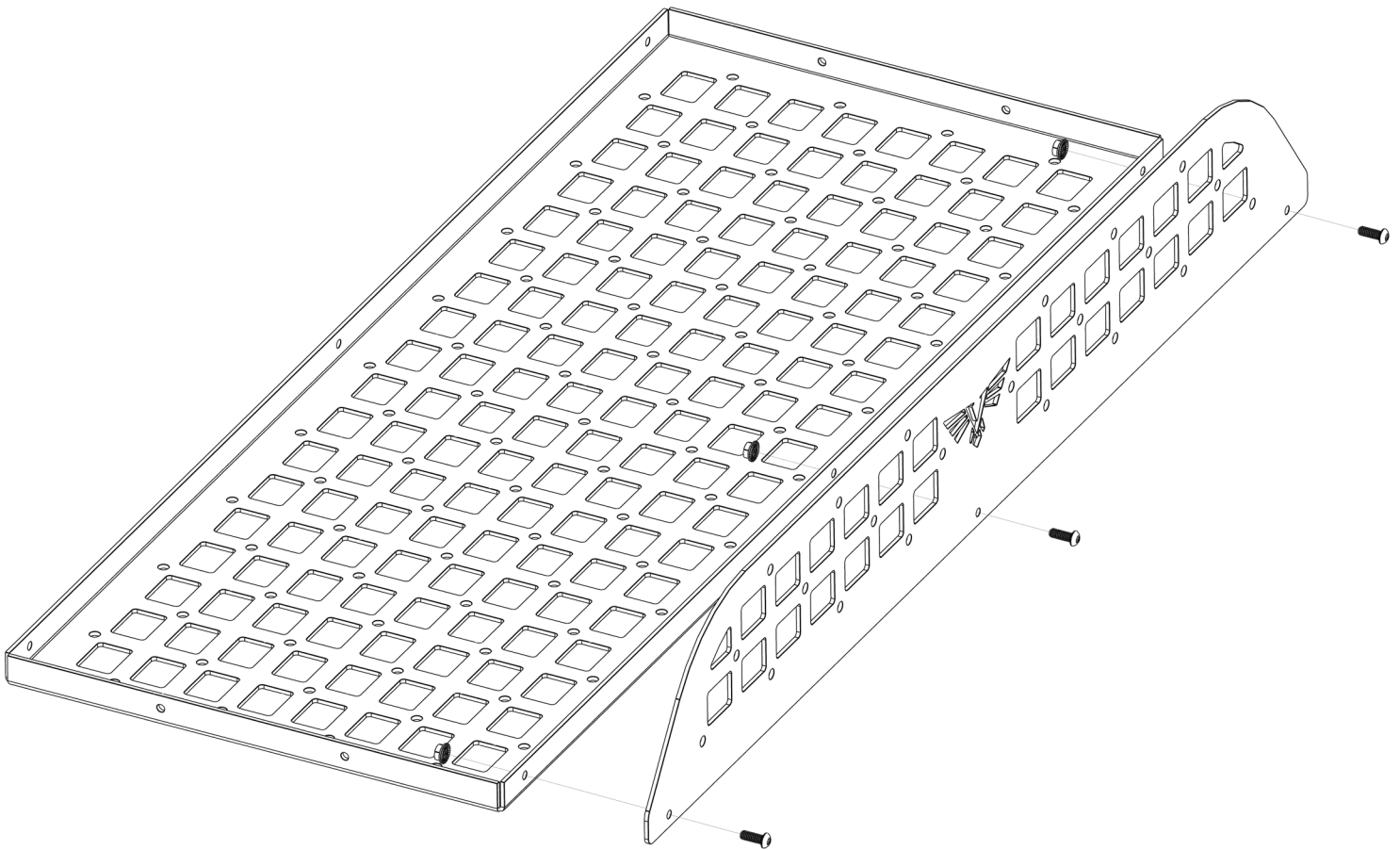
INSTALLATION

- 1 Start by installing the mounts onto the handles on the ceiling of the cargo area. To do so you will need to first take them off. To do this, find the seams on either side of each handle and pop the outer covers off. It may be helpful to use something like a plastic pry tool but can be done by hand. Then simply take out the factory bolts. Then, pop the handles into the square cutouts in the mounting brackets and reinstall them using the provided 35 mm M6 button head bolts. The arrows should be pointing towards the front of the vehicle.



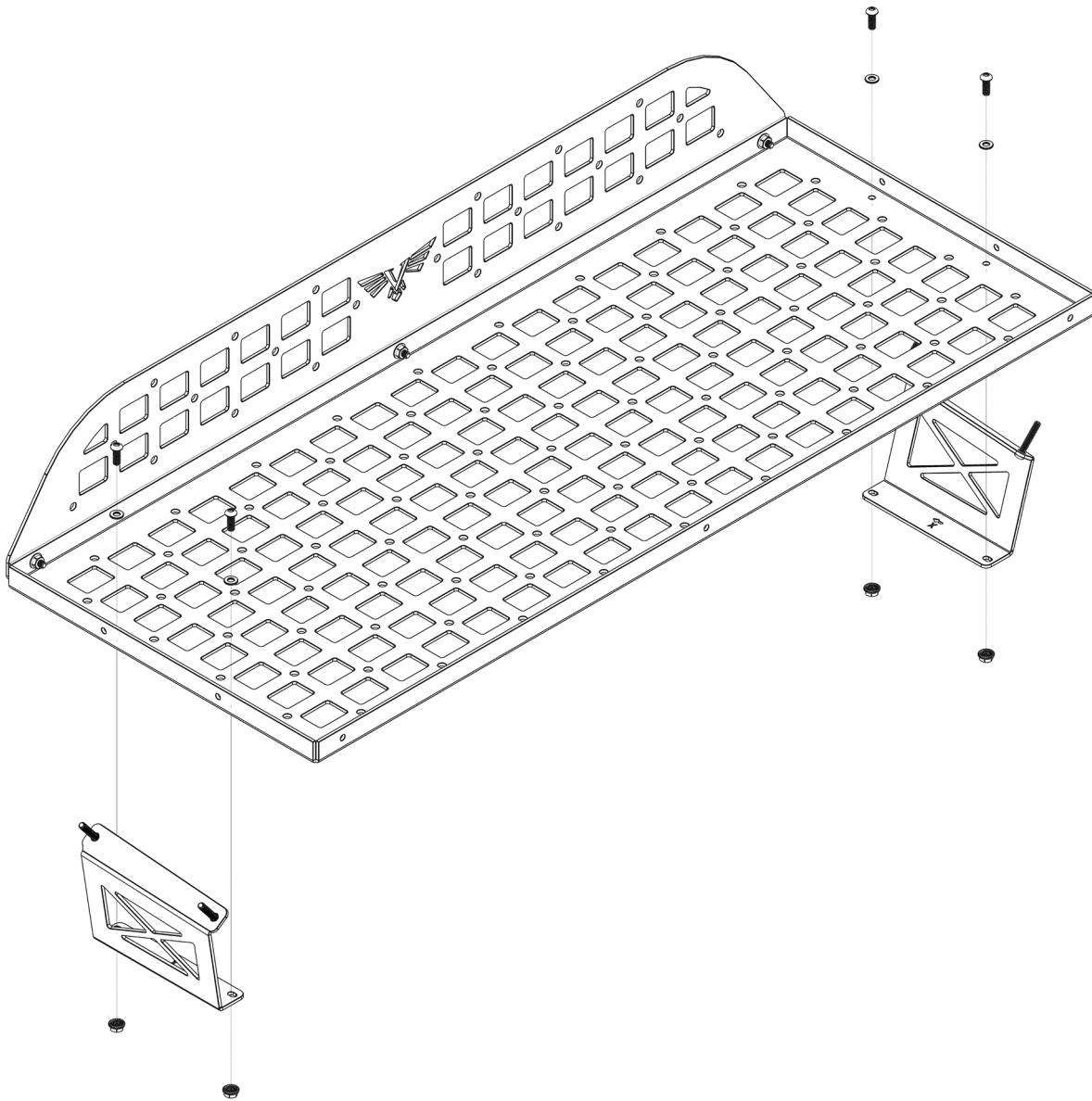
INSTALLATION

- Next, attach the front panel to the basket using three 1/4"-20 X 3/4" button head bolts, 1/4" washers and 1/4"-20 serr. flange nuts.



INSTALLATION

- 3** Finally, set the basket on the lip of the two mounts and attach them together using two 1/4"-20 X 3/4" button head bolts, 1/4" washers and 1/4"-20 serr. flange nuts per side.

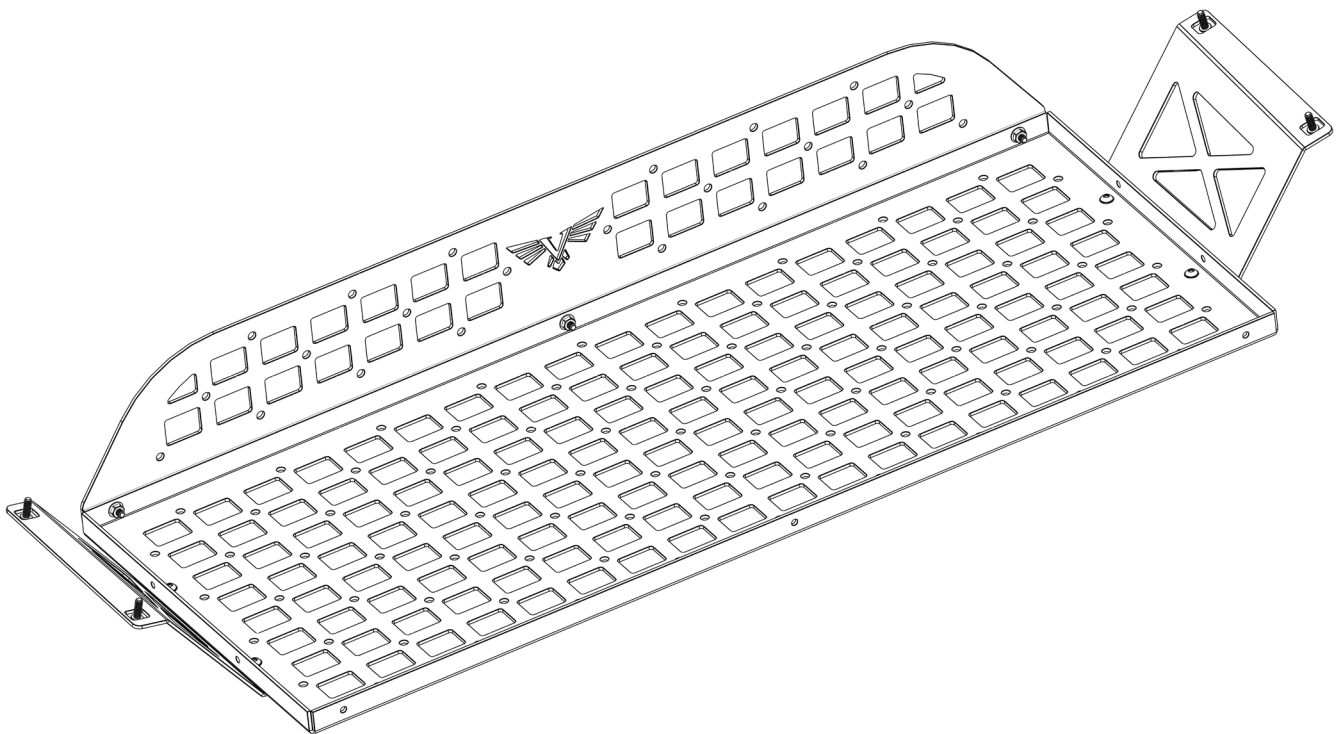




VICTORY 4X4

100 SERIES LANDCRUISER UPPER SHELF

INSTALL INSTRUCTIONS



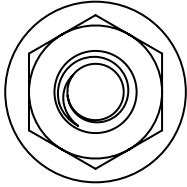
Please read the mounting instructions below carefully before attempting to install.

Be sure to check out the install video on the product page, if available.

Thank you for purchasing from Victory 4x4! Checkout our website, victory4x4.com for other great off-road products. Be sure to rate and review our product online. If you have any questions or are missing parts, please don't hesitate to call us at 269-459-8447!

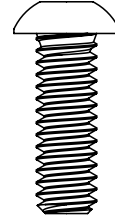
INCLUDED HARDWARE

7x



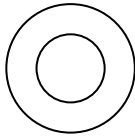
1/4"-20
Serr. Flange Nut

11x



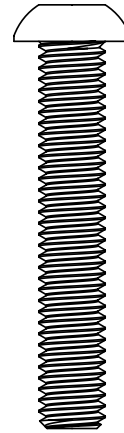
1/4"-20 X 3/4"
Button Head

7x



1/4"
Washer

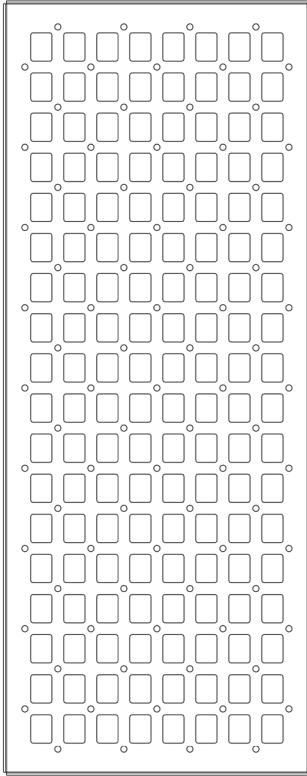
4x



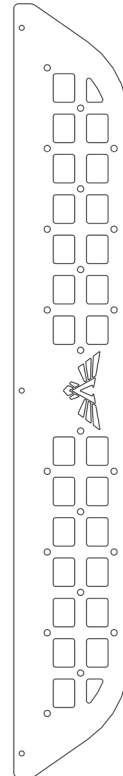
35 mm M6
Button Head

INCLUDED PARTS

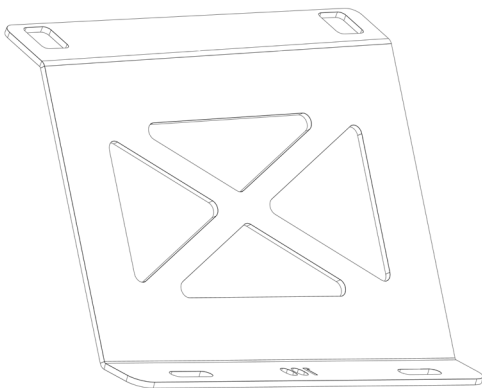
1x



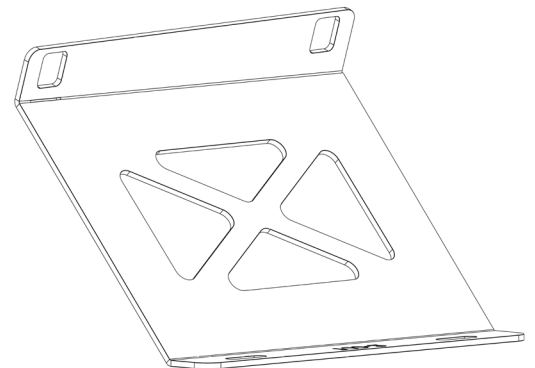
1x



1L/1R



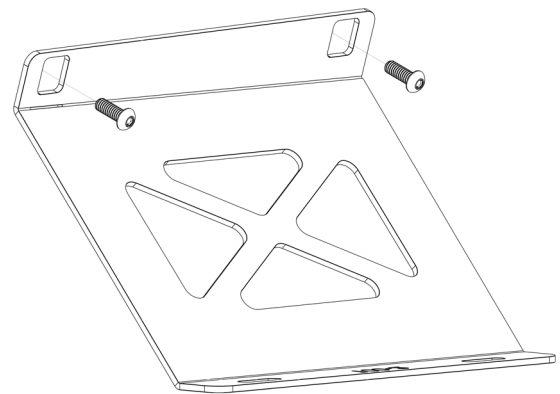
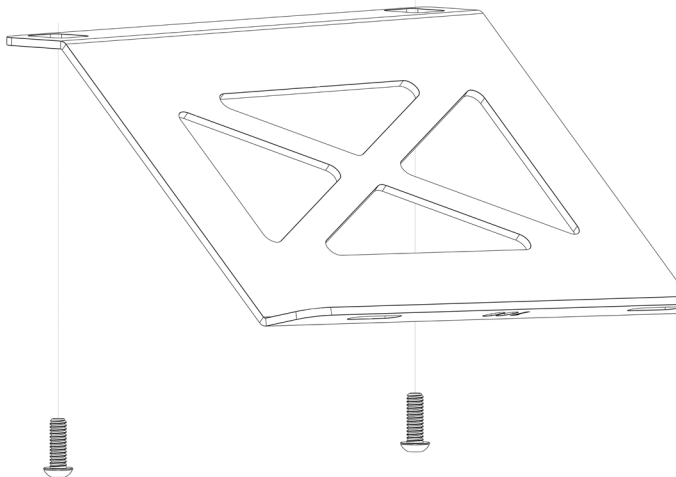
1x



1998-2001 driver's side only

INSTALLATION

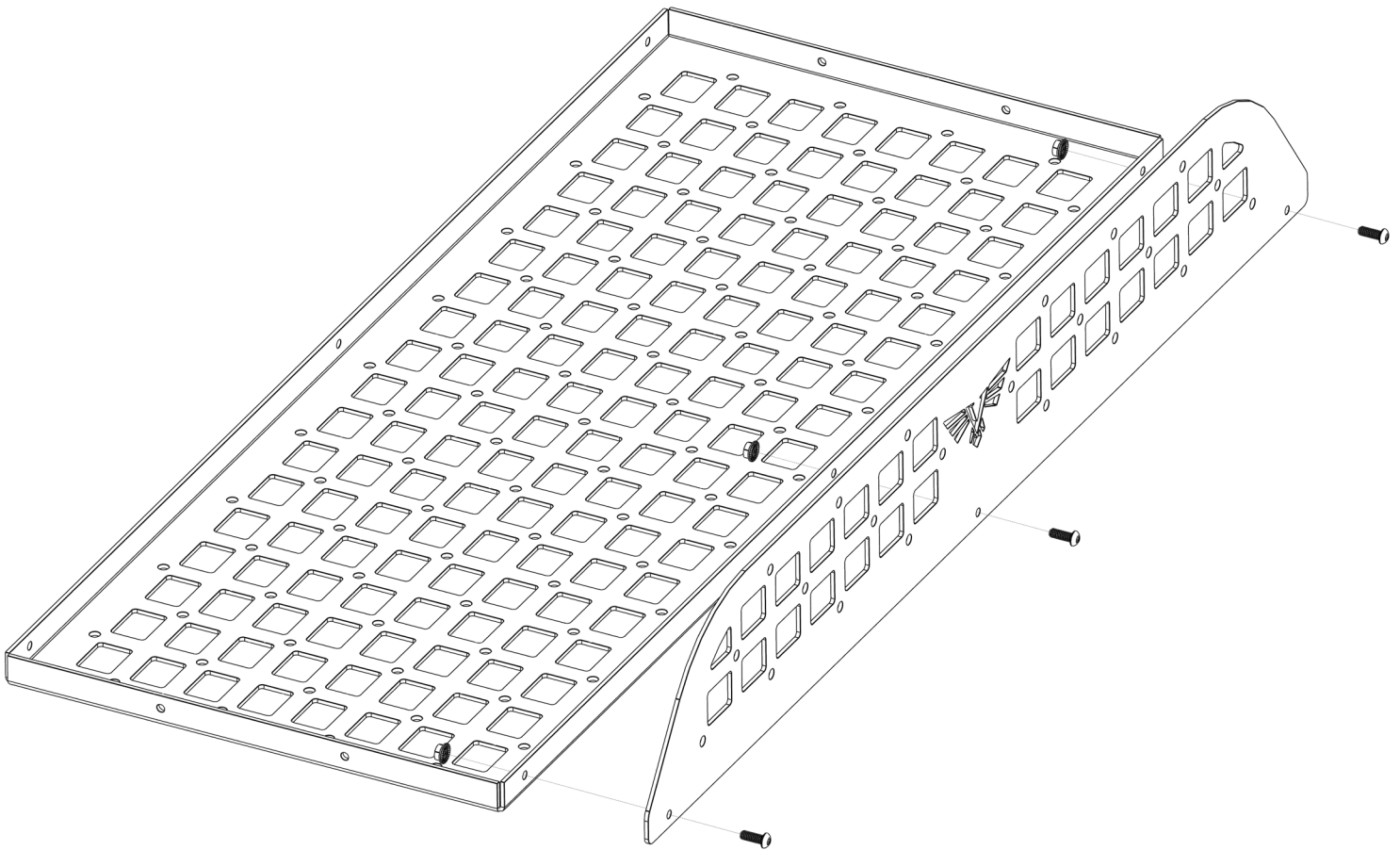
- 1 Start by installing the mounts onto the handles on the ceiling of the cargo area. To do so you will need to first take them off. To do this, find the seams on either side of each handle and pop the outer covers off. It may be helpful to use something like a plastic pry tool but can be done by hand. Then simply take out the factory bolts. Then, pop the handles into the square cutouts in the mounting brackets and reinstall them using the provided 35 mm M6 button head bolts. In most models, the mounts are the same on both sides and the top of the mounts should angle down while the lip with the numbers on it should point in towards the middle of the vehicle. In 1998-2001 models, you will have to use the other provided bracket on the driver's side and make sure that the top of the mount points up rather than down.



1998-2001 driver's side only

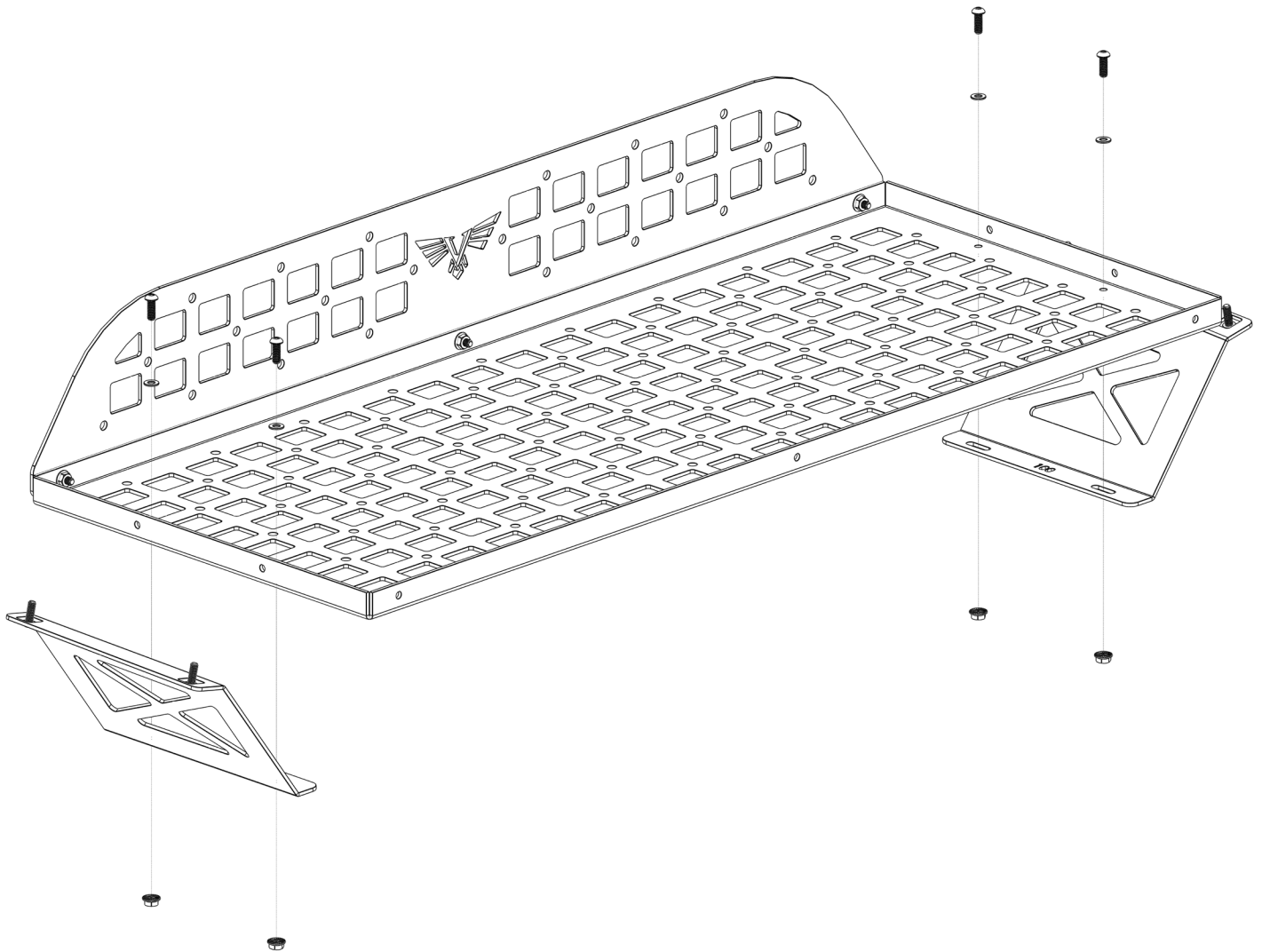
INSTALLATION

- 2 Next, attach the front panel to the basket using three 1/4"-20 X 3/4" button head bolts, 1/4" washers and 1/4"-20 serr. flange nuts.



INSTALLATION

- 3** Finally, set the basket on the lip of the two mounts and attach them together using two 1/4"-20 X 3/4" button head bolts, 1/4" washers and 1/4"-20 serr. flange nuts per side.

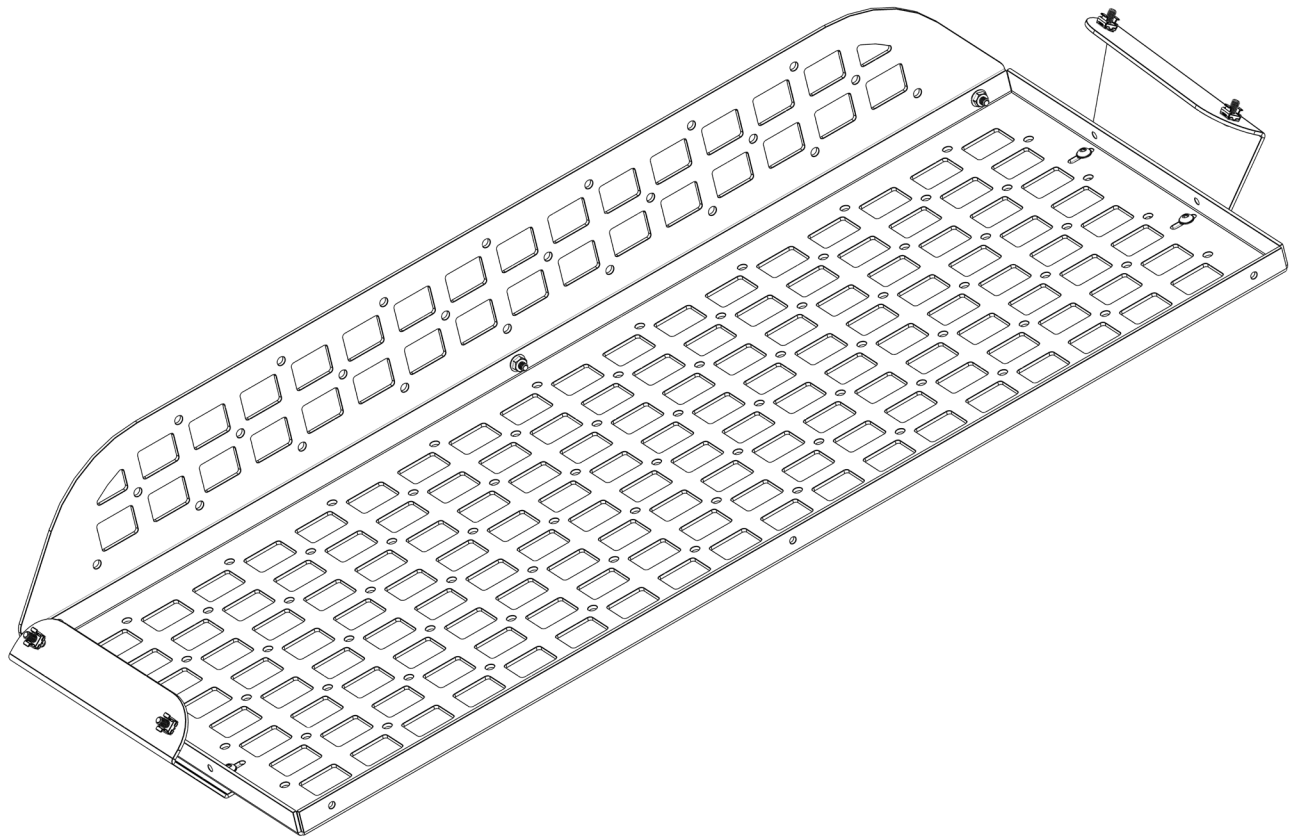




VICTORY 4X4

200 SERIES LAND CRUISER UPPER SHELF

INSTALL INSTRUCTIONS



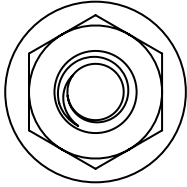
Please read the mounting instructions below carefully before attempting to install.

Be sure to check out the install video on the product page, if available.

Thank you for purchasing from Victory 4x4! Checkout our website, victory4x4.com for other great off-road products. Be sure to rate and review our product online. If you have any questions or are missing parts, please don't hesitate to call us at 269-459-8447!

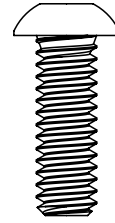
INCLUDED HARDWARE

7x



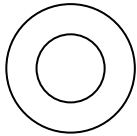
1/4"-20
Serr. Flange Nut

11x



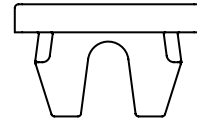
1/4"-20 X 3/4"
Button Head

7x



1/4"
Washer

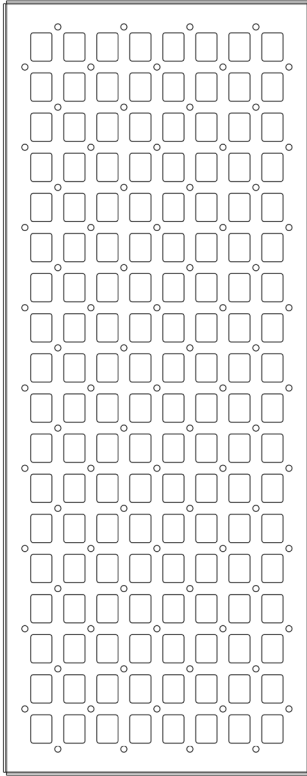
4x



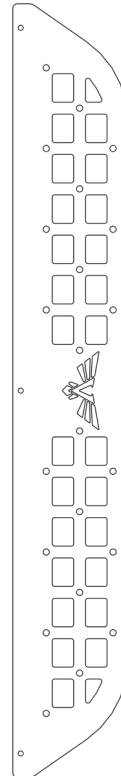
#12
Nylon Expansion Nut

INCLUDED PARTS

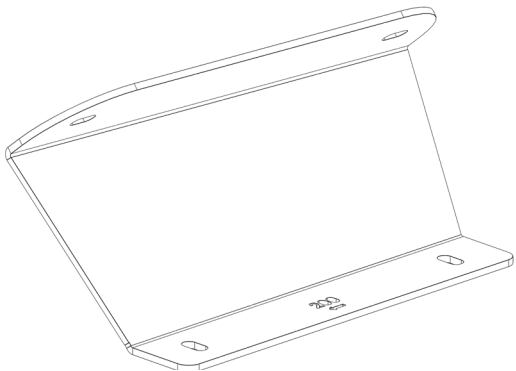
1x



1x

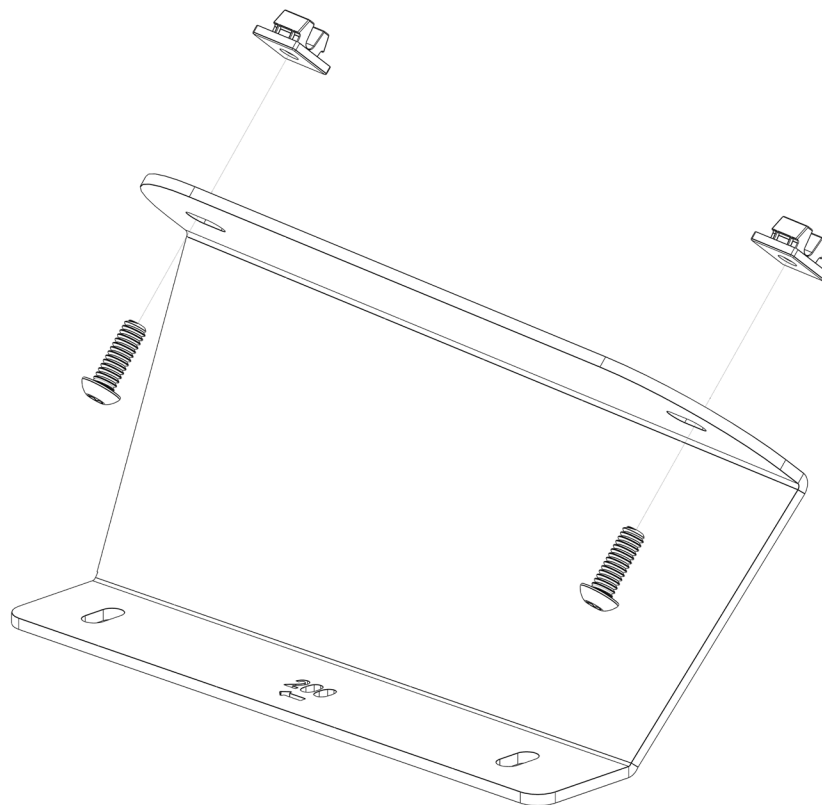


1L/1R



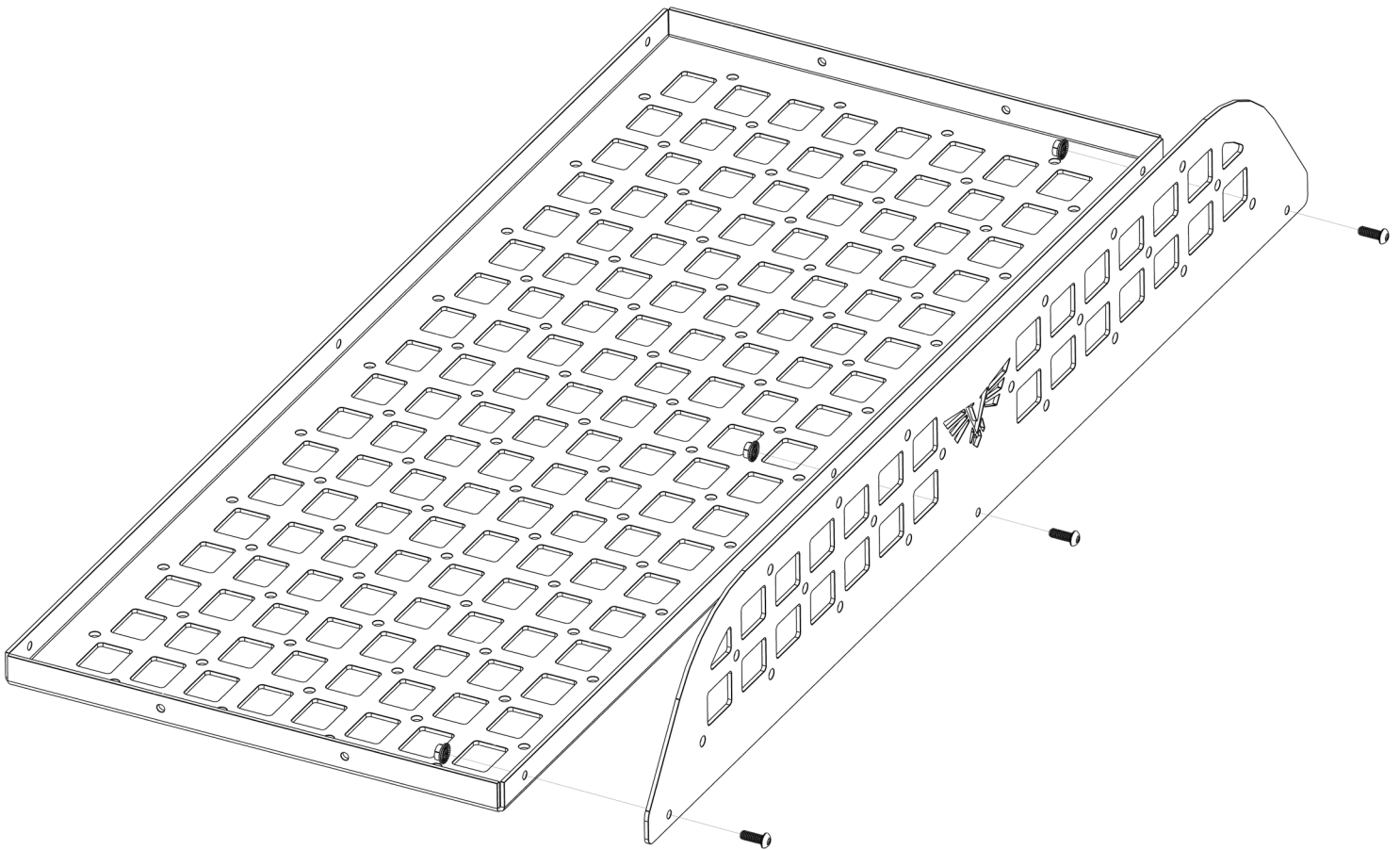
INSTALLATION

- 1 Start by installing the mounts into the holes that mount the grab handles to the ceiling of the cargo area. To do so you will need to first take them off. To do this, find the seams on either side of each handle and pop the outer covers off. It may be helpful to use something like a plastic pry tool but can be done by hand. Then, pinch the metal clips and pull the handle off of the ceiling. Once that is out of the way, pull the metal clips out of the holes too. Then, install the mount into the ceiling using 1/4"-20 X 3/4" bolts and # 12 expansion nuts. Insert the bolts into the slots in the unlabeled side of the mount and then thread the expansion nuts onto them about one turn. Then, making sure that the expansion nuts are oriented so that they expand vertically, pop them into the holes in the ceiling and tighten the bolts into place. Make sure that the arrow in the mount is pointing towards the front of the vehicle.



INSTALLATION

- 2 Next, attach the front panel to the basket using three 1/4"-20 X 3/4" button head bolts, 1/4" washers and 1/4"-20 serr. flange nuts.



INSTALLATION

- 3** Finally, set the basket on the lip of the two mounts and attach them together using two 1/4"-20 X 3/4" button head bolts, 1/4" washers and 1/4"-20 serr. flange nuts per side.

