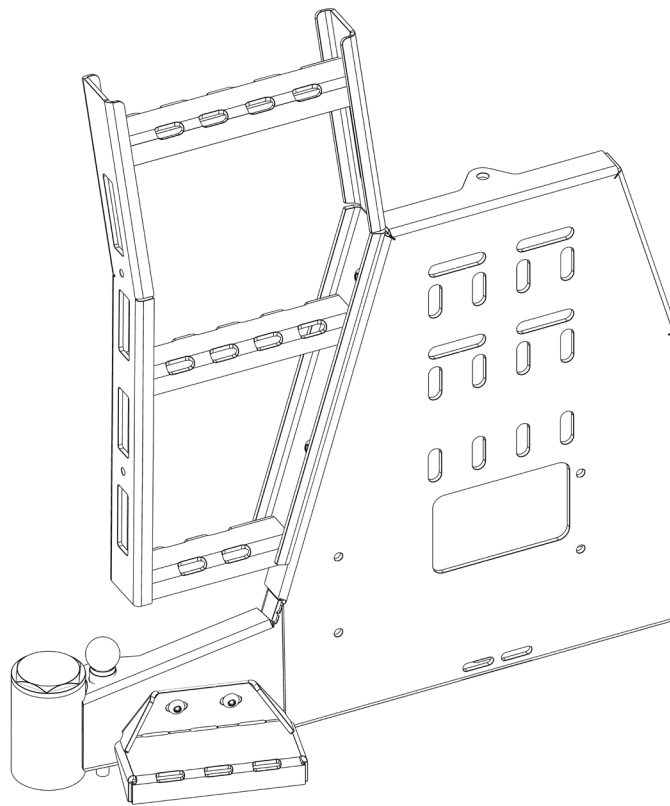




VICTORY 4X4

UNIVERSAL ADVENTURE CARRIER LADDER

INSTALL INSTRUCTIONS



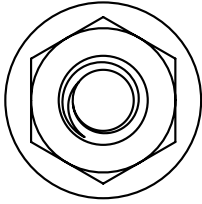
Please read the mounting instructions below carefully before attempting to install.

Be sure to check out the install video on the product page, if available.

Thank you for purchasing from Victory 4x4! Checkout our website, victory4x4.com for other great off-road products. Be sure to rate and review our product online. If you have any questions or are missing parts, please don't hesitate to call us at 269-459-8447!

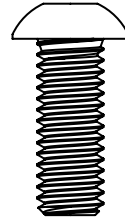
INCLUDED HARDWARE

4x



3/8"-16
Serr. Flange Nut

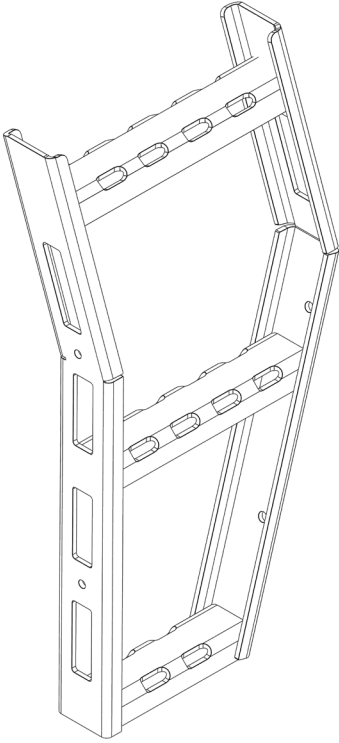
4x



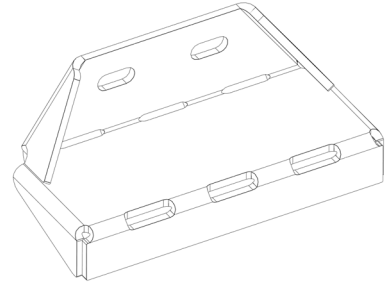
3/8"-16 X 3/4"
Button Head

INCLUDED PARTS

1x

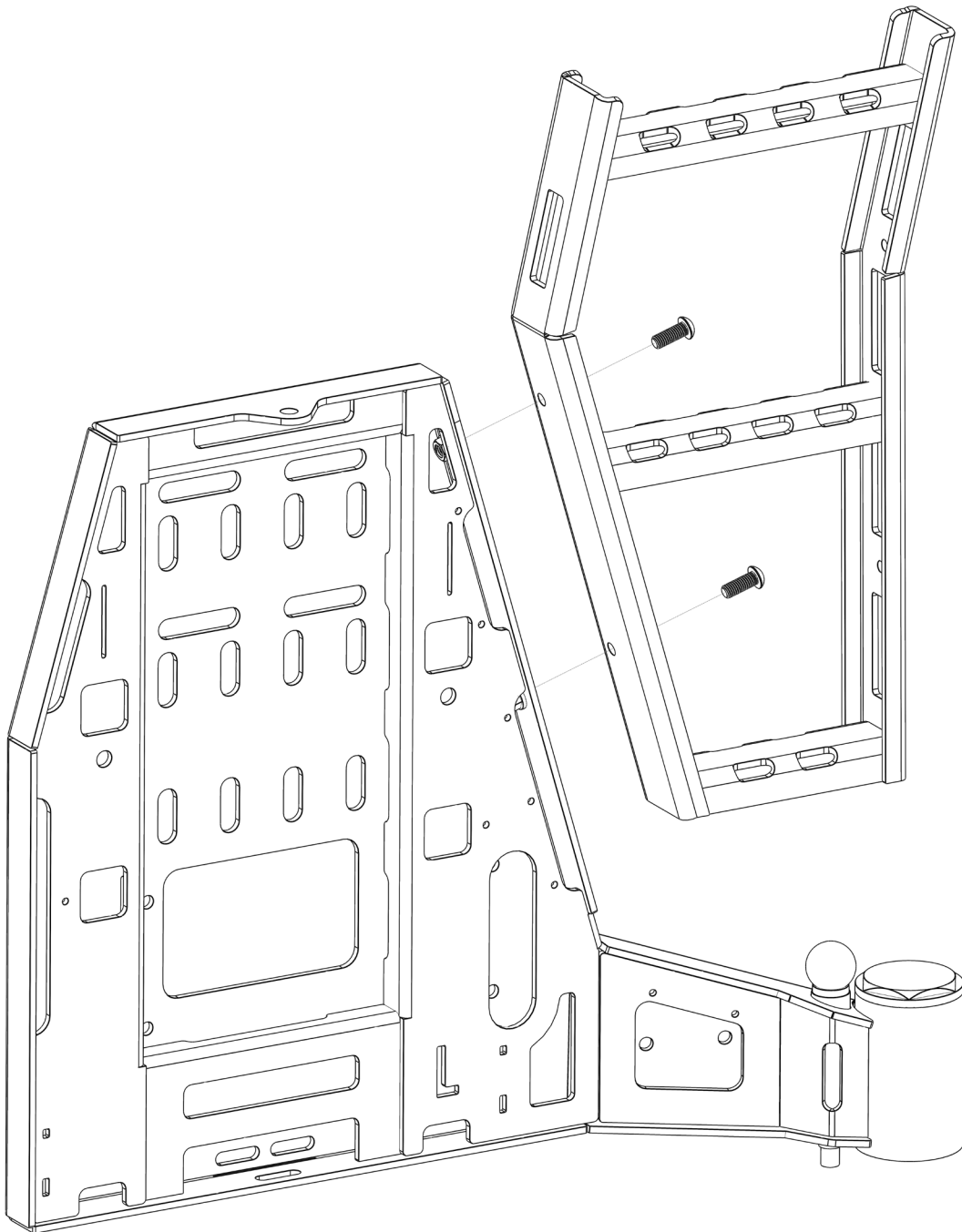


1x



INSTALLATION

- 1 Start by mounting the ladder to the outside edge of the left carrier. Simply insert the 3/8"-16 serr. flange nuts into the cutouts in the inside of the adventure carrier and hold them over the holes on the inside of the carrier and thread the 3/8"-16 X 3/4" button head bolts through the holes in the right side of the ladder and the left side of the carrier and into the nuts.



INSTALLATION

- 2** To finish the assembly, bolt the bottom step into the holes in the arm of the carrier, underneath the ladder using the 3/8"-16 X 3/4" button head bolts on the outside and of the carrier and the 3/8"-16 serr. flange nuts on the inside.

