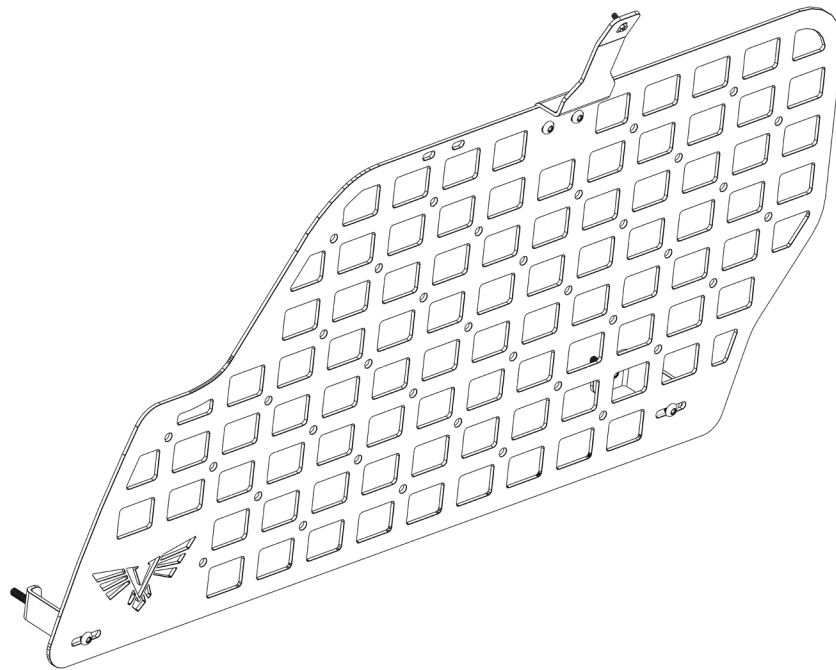




VICTORY 4X4

4TH GEN 4RUNNER REAR WINDOW MOLLE PANEL

INSTALL INSTRUCTIONS



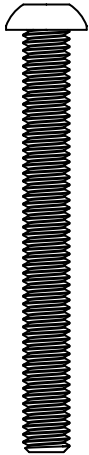
Please read the mounting instructions below carefully before attempting to install.

Be sure to check out the install video on the product page, if available.

Thank you for purchasing from Victory 4x4! Checkout our website, victory4x4.com for other great off-road products. Be sure to rate and review our product online. If you have any questions or are missing parts, please don't hesitate to call us at 269-459-8447!

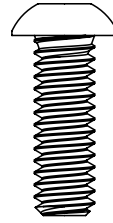
INCLUDED HARDWARE

2x



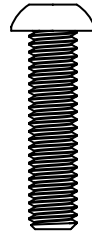
55 mm M6
Button Head

4x



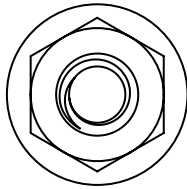
1/4"-20 X 3/4"
Button Head

2x



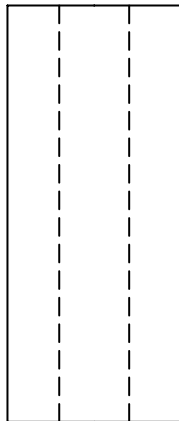
25 mm M6
Button Head

4x



1/4"-20
Serr. Flange Nut

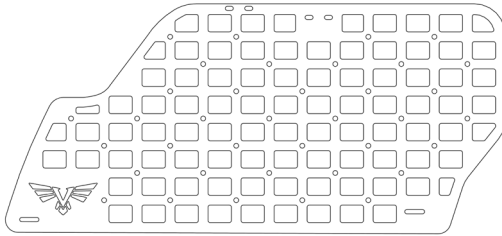
2x



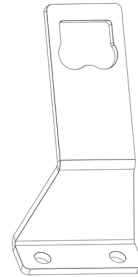
5/8" OD X 1-1/2" long
Unthreaded Nylon Spacer

INCLUDED PARTS

1x

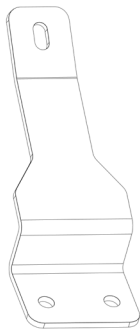


1x



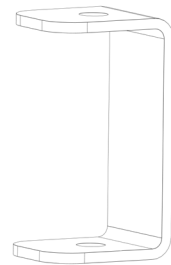
Top (2003-2005)

1x



Top (2006-2009)

1x



Front

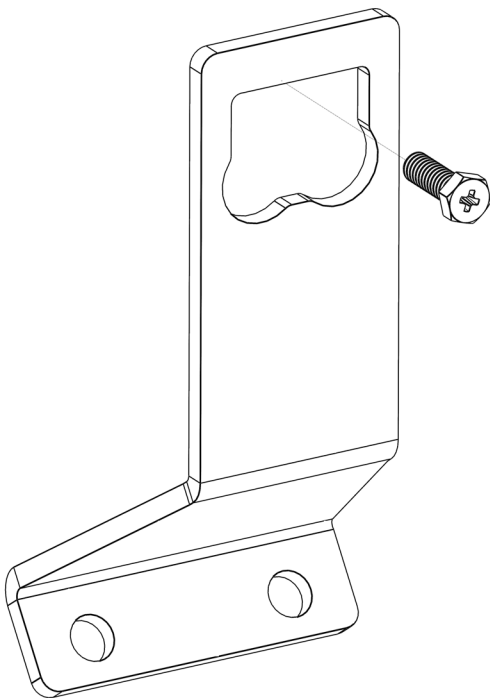
1x



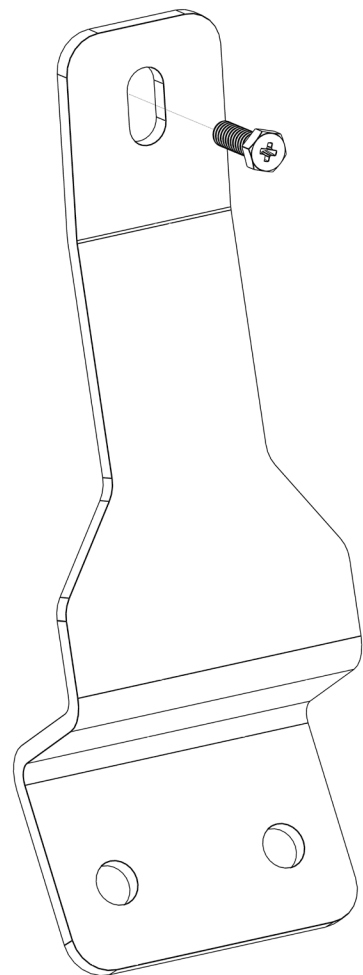
Rear

INSTALLATION

- 1 Start by mounting the top mount to the vehicle. You do this by setting the factory hangers over the top of the mount and then loosely attaching it to the vehicle using the factory hardware. The top mount you need to use will depend on the model year of your vehicle. See "included parts" section to see which one you need.



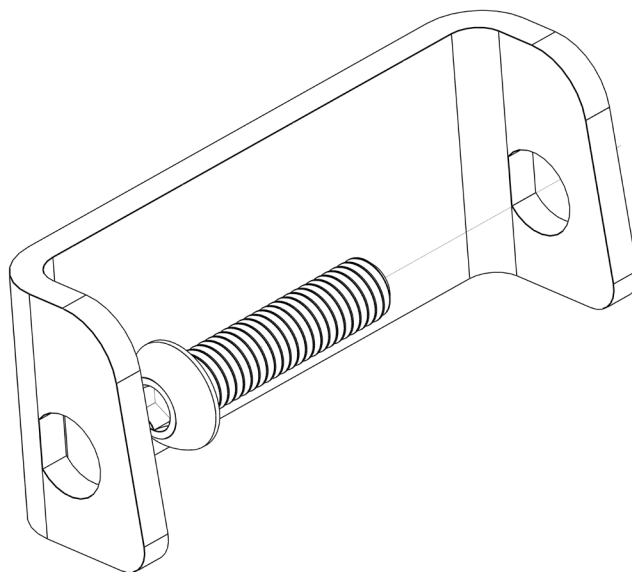
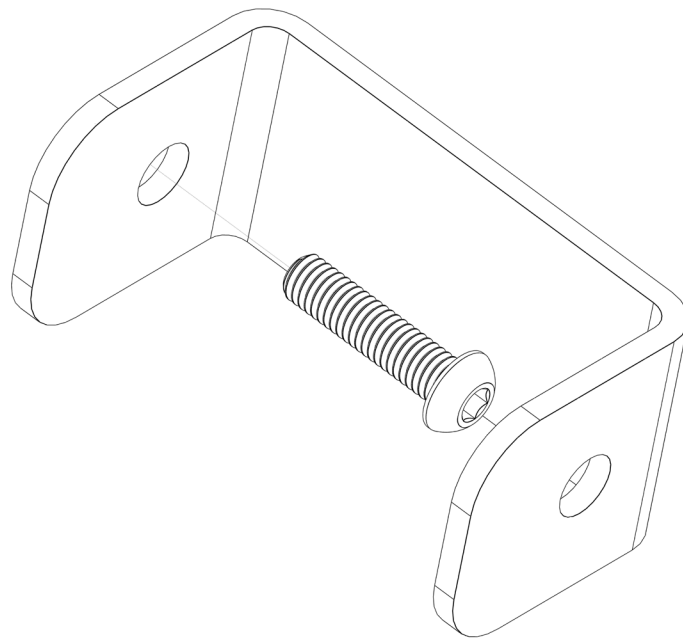
2003-2005



2006-2009

INSTALLATION

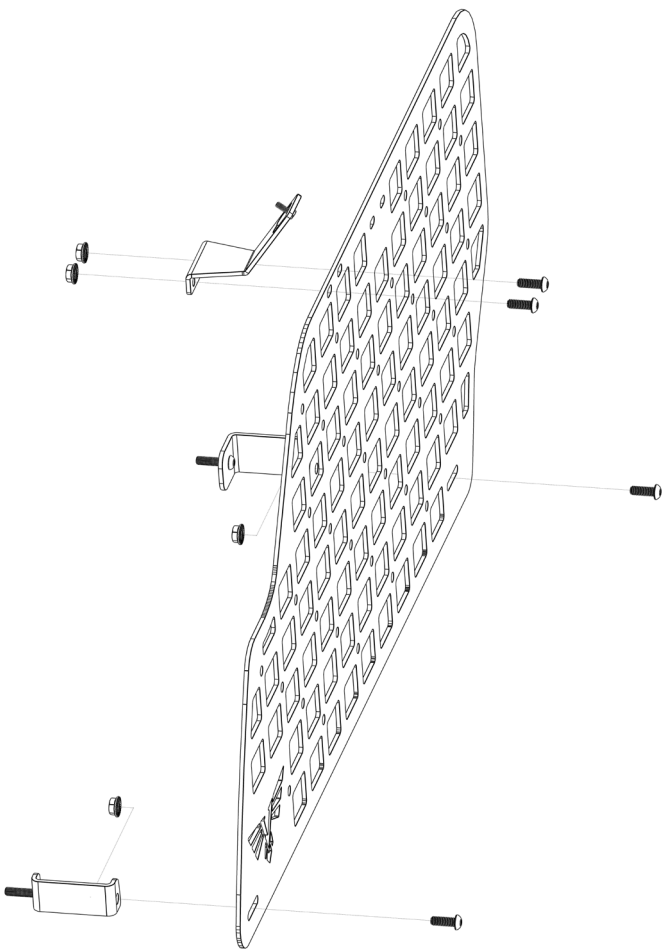
- 2 Next, loosely install the bottom mounts using the 55mm M6 button head bolts. Make sure that the open end of the rear mount is open towards the front of the vehicle, and the open end of the front mount is open towards the rear of the vehicle.



INSTALLATION

- 3** With all 3 mounts loosely installed, mount the panel to them, starting with the top mount. Once the panel is attached to all 3 mounts, adjust the positioning in the window and tighten it into place once it is in the desired position.

2003-2005



2006-2009

