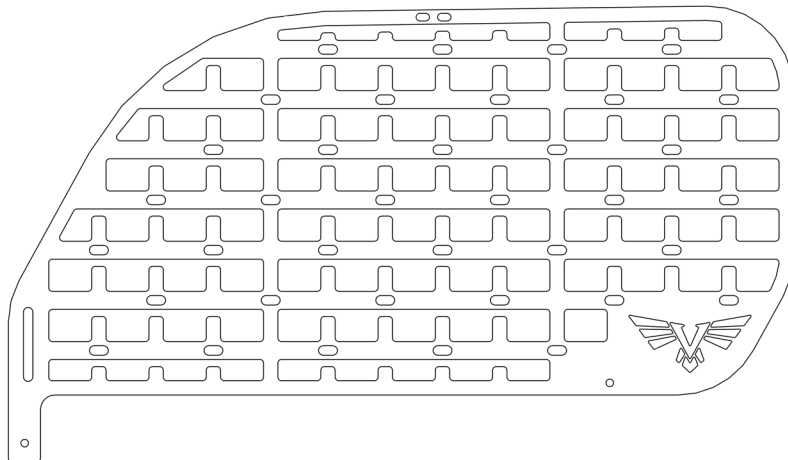




VICTORY 4X4

5TH GEN 4RUNNER REAR WINDOW MOLLE PANEL

INSTALL INSTRUCTIONS



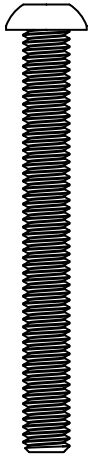
Please read the mounting instructions below carefully before attempting to install.

Be sure to check out the install video on the product page, if available.

Thank you for purchasing from Victory 4x4! Checkout our website, victory4x4.com for other great off-road products. Be sure to rate and review our product online. If you have any questions or are missing parts, please don't hesitate to call us at 269-459-8447!

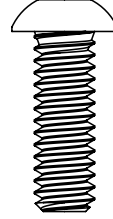
INCLUDED HARDWARE

2x



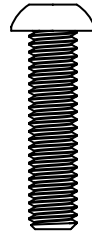
55 mm M6
Button Head

4x



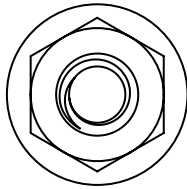
1/4"-20 X 3/4"
Button Head

2x



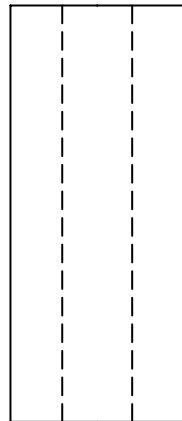
25 mm M6
Button Head

4x



1/4"-20
Serr. Flange Nut

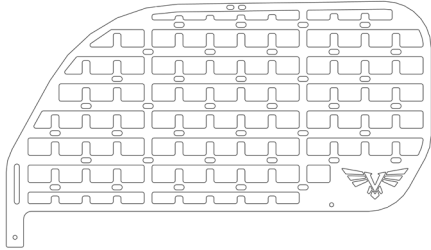
2x



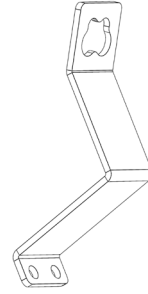
5/8" OD X 1-1/2" long
Unthreaded Nylon Spacer

INCLUDED PARTS

1x

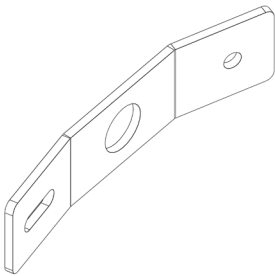


1x



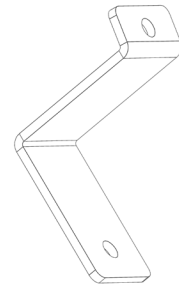
Top

1x



Rear

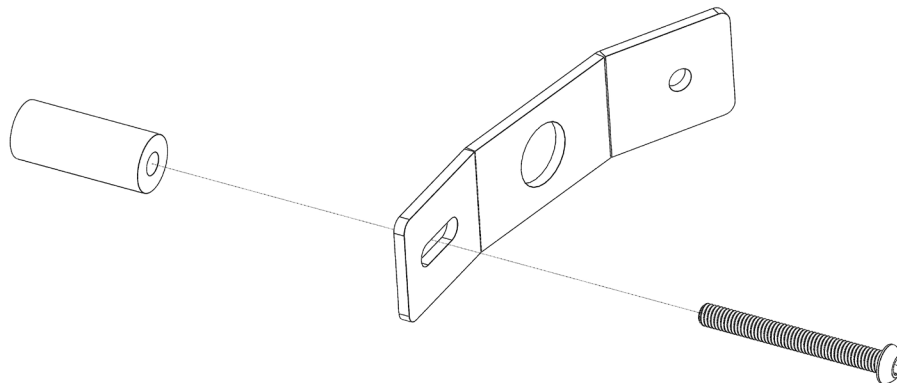
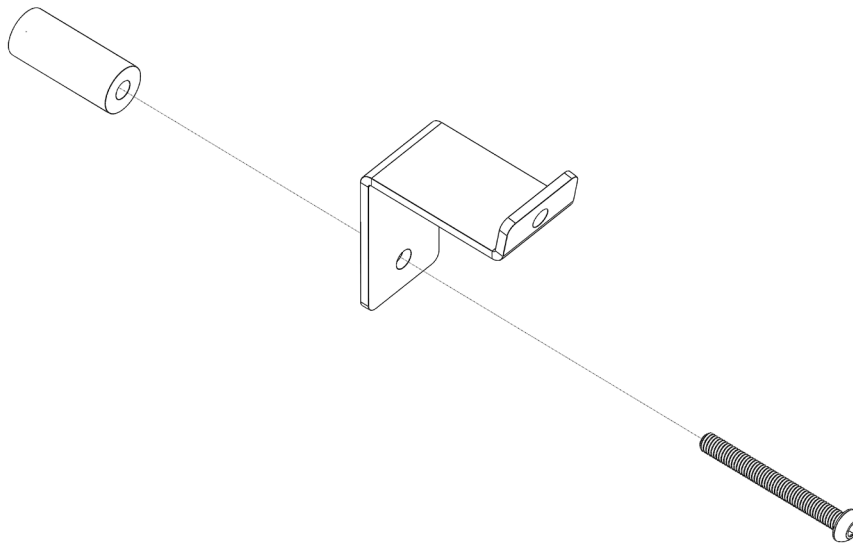
1x



Front

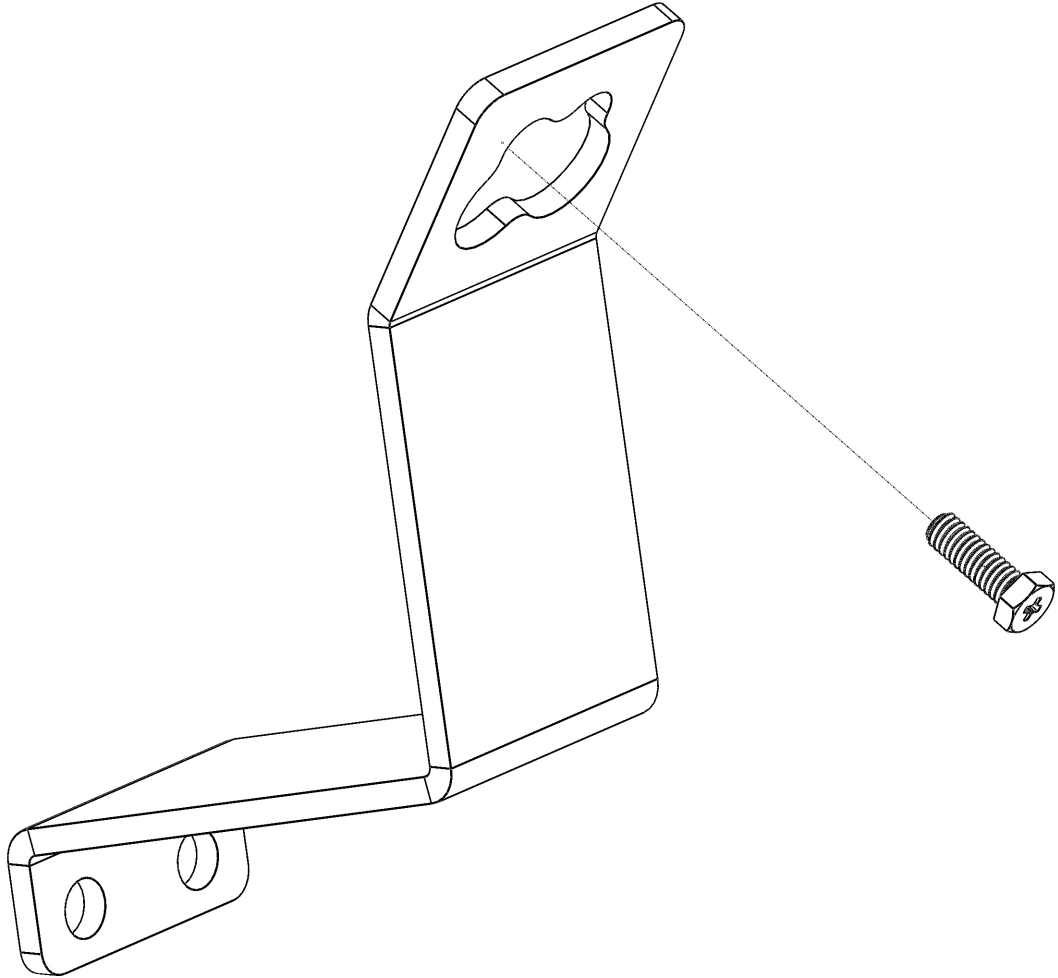
INSTALLATION

- 1 Start by loosely installing the bottom mounts using the 55mm M6 button head and the 5/8" OD spacer. When installing the rear mount, you can use the center hole as a place to re-mount the factory cargo net hook.



INSTALLATION

- 2 Next, put the factory hanger through the top mount and use the stock hardware to loosely mount it to the vehicle.



INSTALLATION

- 3** With all 3 mounts loosely installed, mount the panel to them, starting with the top mount. Once the panel is attached to all 3 mounts, adjust the positioning in the window and tighten it into place once it is in the desired position.

