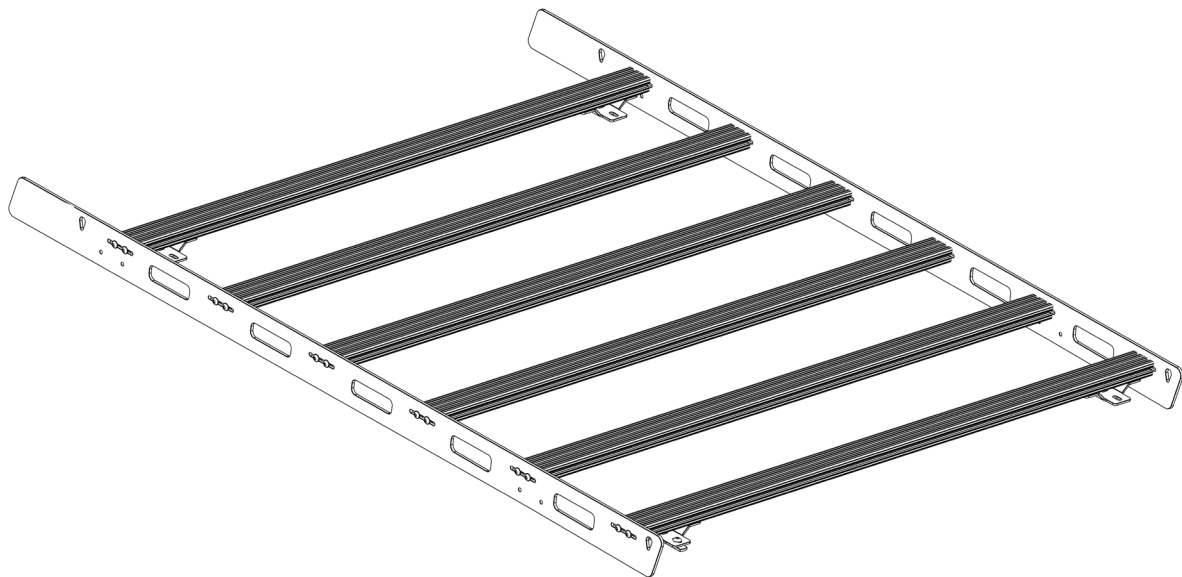




VICTORY 4X4

2ND & 3RD GEN TUNDRA TOPPER ROOF RACK

INSTALL INSTRUCTIONS



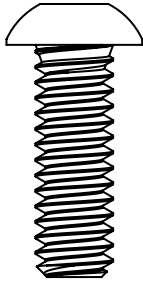
Please read the mounting instructions below carefully before attempting to install.

Check out the install video on the product page for factory rack disassembly.

Thank you for purchasing from Victory 4x4! Checkout our website, victory4x4.com for other great off-road products. Be sure to rate and review our product online. If you have any questions or are missing parts, please don't hesitate to call us at 269-459-8447!

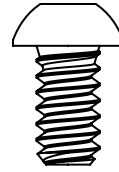
INCLUDED HARDWARE

24x



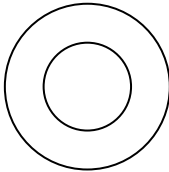
1/4"-20 X 3/4"
Button Head

16x



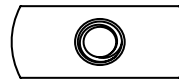
1/4"-20 X 3/8"
Button Head

40x



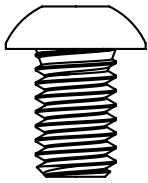
1/4" ID
Washer

16x



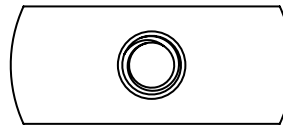
1/4"-20
T-Nut

8x



5/16"-18 X 1/2"
Button Head

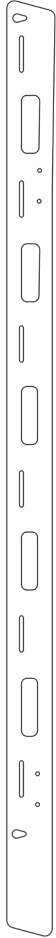
8x



5/16"-18
T-Nut

INCLUDED PARTS

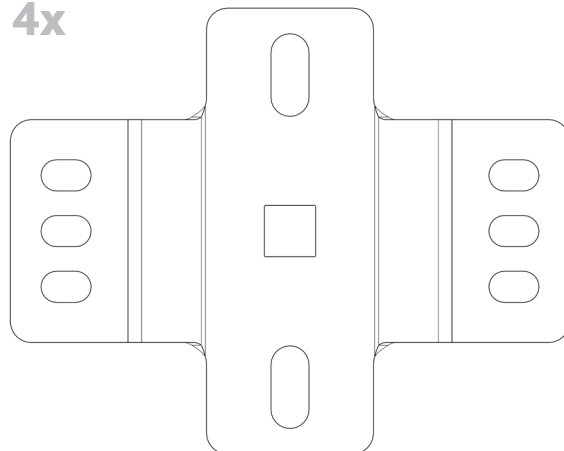
2x



6x

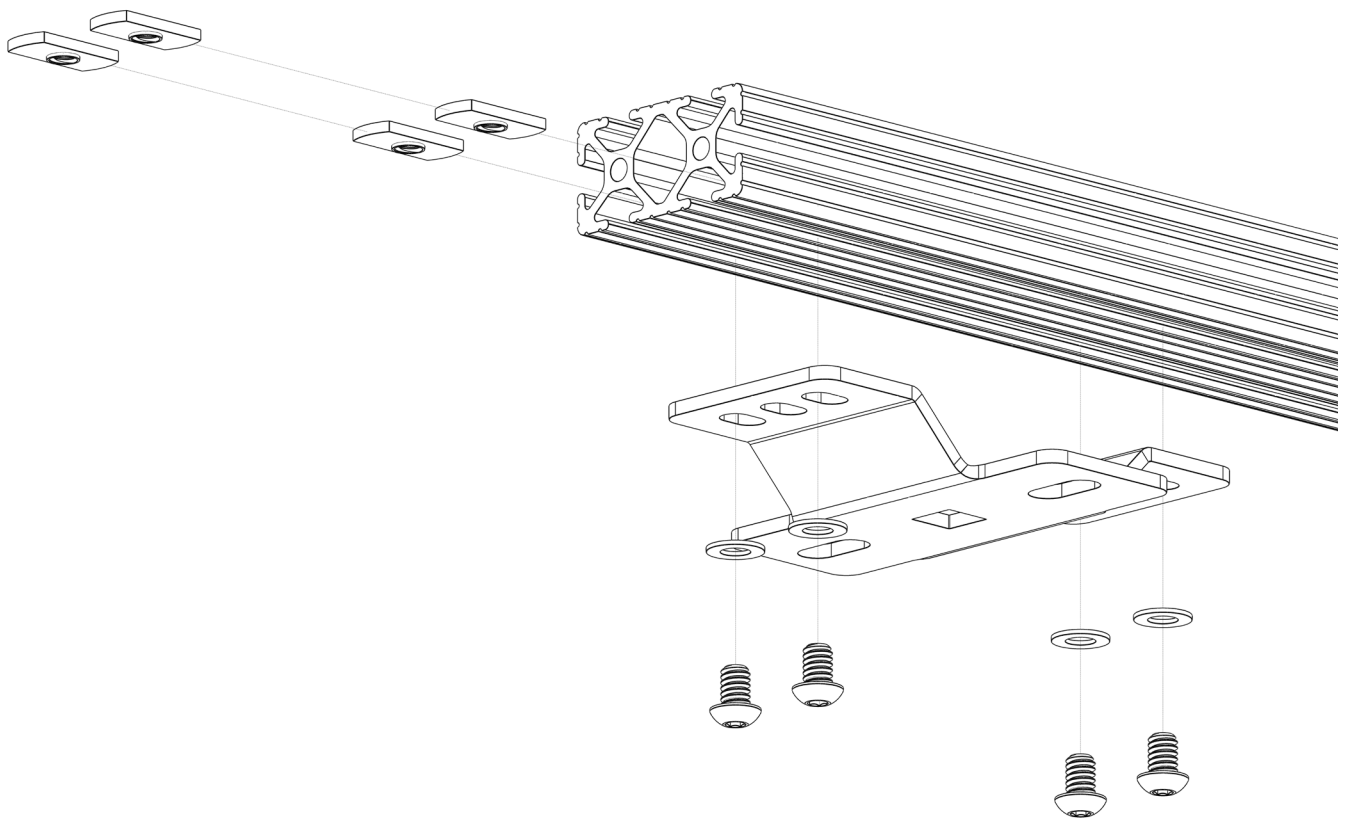


4x



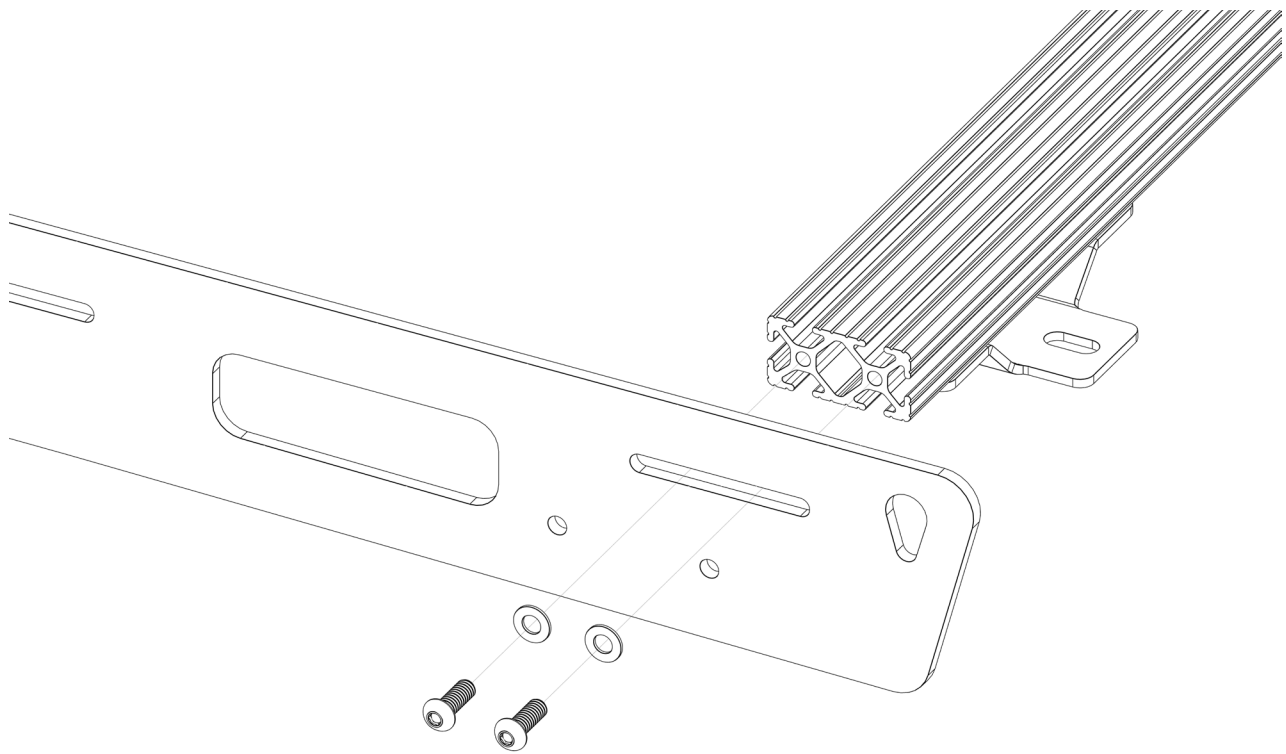
ASSEMBLY

- 1** Start by measuring the distance between the rails on the roof of the topper. Then, attach the two of the mounts to one of the crossbars, centered on the bar and the same distance apart as the rails on the topper. Do this using the 1/4"-20 X 3/8" button head bolts, 1/4" ID washers, and 1/4"-20 t-nuts. You will need to slide the t-nuts into the channel through the side of the bar and then bolt the mount into those. It is best to put the mounts on the side of the bar that doesn't have the machined slots. That way they will be facing up when the rack is fully assembled and you can easily add t-nuts to mount your gear whenever you want. Repeat this for one more bar.



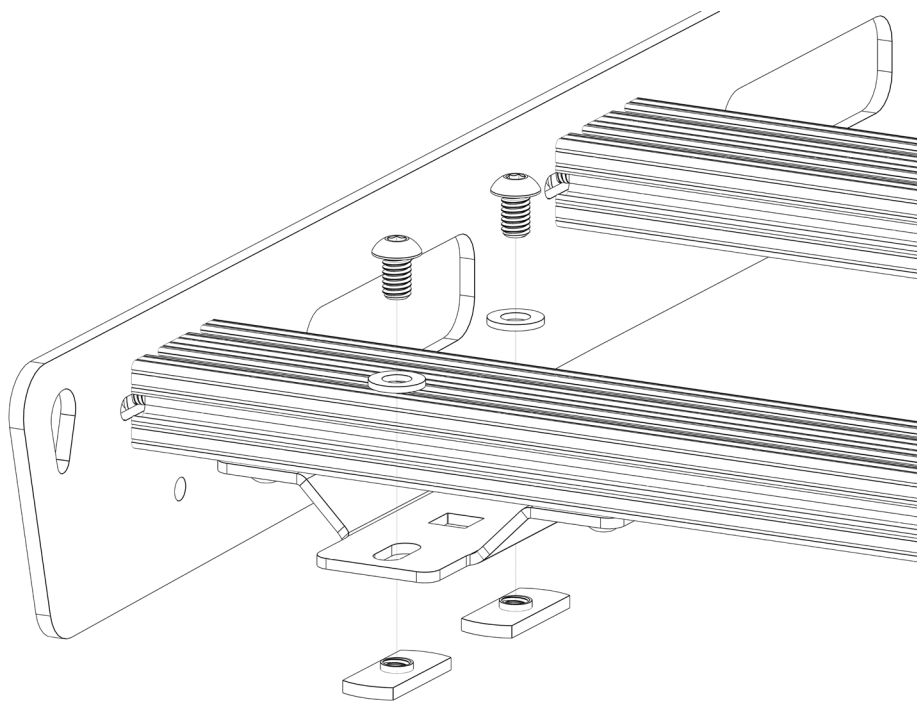
ASSEMBLY

- 2** Assemble the rack on the ground. Mount the crossbars between the 2 side rails. For this, use the 1/4"-20 X 3/4" button head bolts and the 1/4" ID washers (2 per bar per side). Make sure that the machined slots are facing up and the bars that have mounts attached to them go in the front and rear.



ASSEMBLY

- 3** Next, slide the larger 5/16"-18 t-nuts into the factory rails on the topper and put the rack up on the roof. Then, loosely bolt the rack to the t-nuts using the 5/16"-18 X 1/2" button head bolts and 5/16" ID washers. Adjust the position of the rack until it is where you like and then tighten it fully into place.



- 4** With everything roughly in position, make whatever adjustments necessary in order to get the rack centered on the topper and tighten everything fully into place.

DIMENSIONS

