



VICTORY4X4

TABLE OF CONTENTS

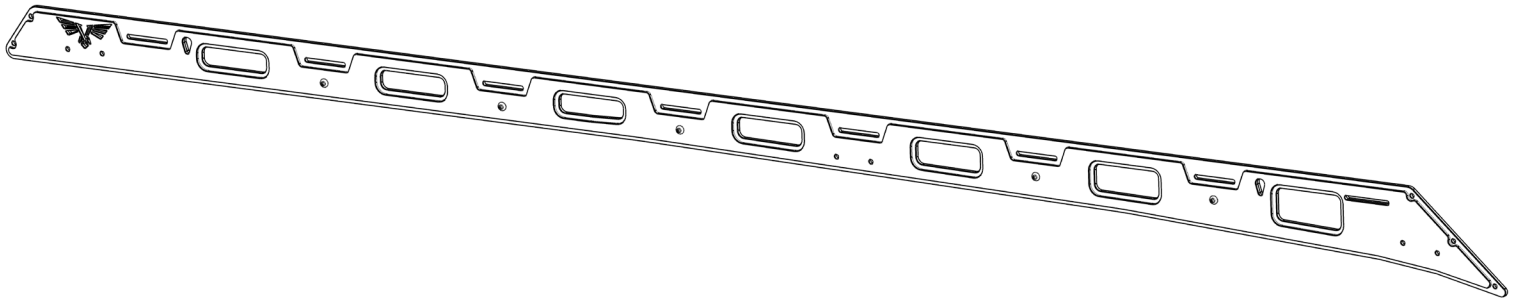
5TH GEN 4RUNNER ACCENT SIDE PLATE.....	2
3RD & 4TH GEN 4RUNNER, GX460 & GX470, & 100 SERIES LAND CRUISER ACCENT SIDE PLATE.....	7



VICTORY 4X4

TOYOTA 4RUNNER 5TH GEN ROOF RACK ACCENT SIDE PLATES

INSTALL INSTRUCTIONS



Please read the mounting instructions below carefully before attempting to install.

Be sure to check out the install video on the product page, if available.

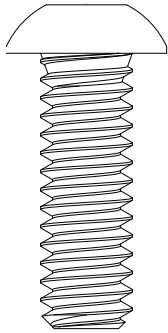
Thank you for purchasing from Victory 4x4! Checkout our website, victory4x4.com for other great off-road products. Be sure to rate and review our product online. If you have any questions or are missing parts, please don't hesitate to call us at 269-459-8447!

INCLUDED HARDWARE

INCLUDED BOLT PACK(S) 045-0145

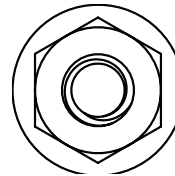
Note: Some Victory 4x4/JCR Offroad/SquatchProof products share hardware kits. Any extra hardware you may receive that is not listed above can be repurposed or discarded.

10x



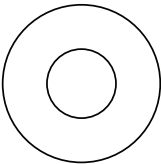
1/4"-20 Stainless
Black Button Head

10x



1/4"-20 Serr.
Flange Nut

10x



18-8 Stainless
Flat Washer

INCLUDED PARTS

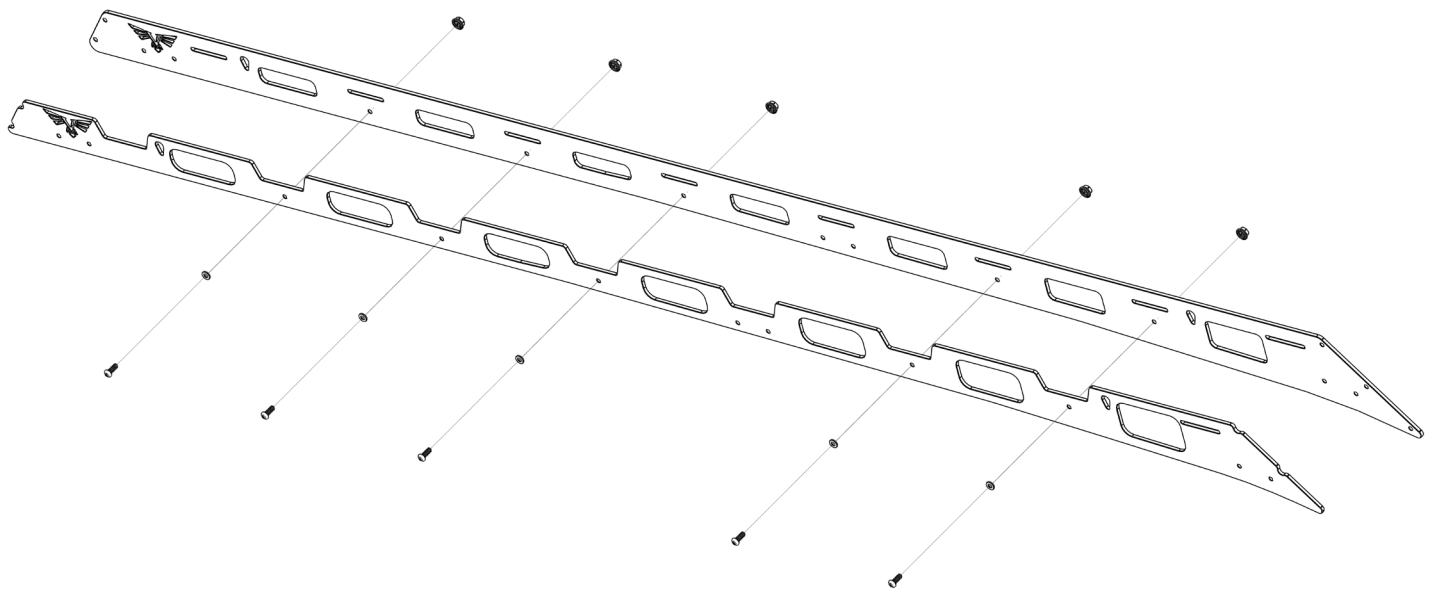
2x



Accent Side Plate

INSTALLATION

1. Start by removing the (2) roof rack side panels off the vehicle (for those with our roof rack already installed). Take (5) of the provided black 1/4" button heads, washers and flange nuts, and one Accent Side Plate. Use the hardware to secure the Accent Side Plate to the Roof Rack side panel as shown in the orientation below (passenger side). If you have an older version of our roof rack, you will need to drill out the (5) mounting holes on the locations shown below. Repeat this process on both sides of the rack.



INSTALLATION

2. With the new Accent Side Plate bolted to the roof rack side panel, you can now assemble the rest of the roof rack as normal. The (3) roof rack mounts on each side will bolt through both the roof rack side panel and the new Accent Side Plate. Check out our roof rack install video and installation document for more information on the roof rack assembly and install. Repeat this process on both sides of the vehicle to complete your install.

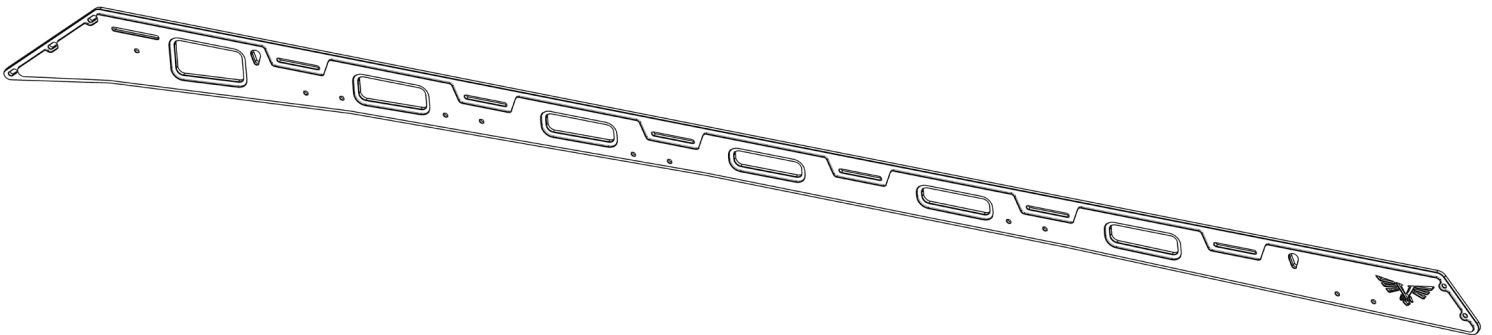




VICTORY 4X4

TOYOTA 4RUNNER 4TH GEN ROOF RACK ACCENT SIDE PLATES

INSTALL INSTRUCTIONS



**NOTE: ALSO FITS THE 3RD GEN 4RUNNER, GX460,
GX470 & 100 SERIES LAND CRUISER.**

Please read the mounting instructions below carefully before attempting to install.

Be sure to check out the install video on the product page, if available.

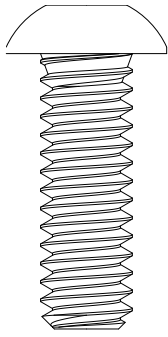
Thank you for purchasing from Victory 4x4! Checkout our website, victory4x4.com for other great off-road products. Be sure to rate and review our product online. If you have any questions or are missing parts, please don't hesitate to call us at 269-459-8447!

INCLUDED HARDWARE

INCLUDED BOLT PACK(S) 045-0145

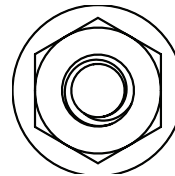
Note: Some Victory 4x4/JCR Offroad/SquatchProof products share hardware kits. Any extra hardware you may receive that is not listed above can be repurposed or discarded.

10x



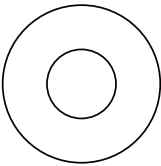
1/4"-20 Stainless
Black Button Head

10x



1/4"-20 Serr.
Flange Nut

10x



18-8 Stainless
Flat Washer

INCLUDED PARTS

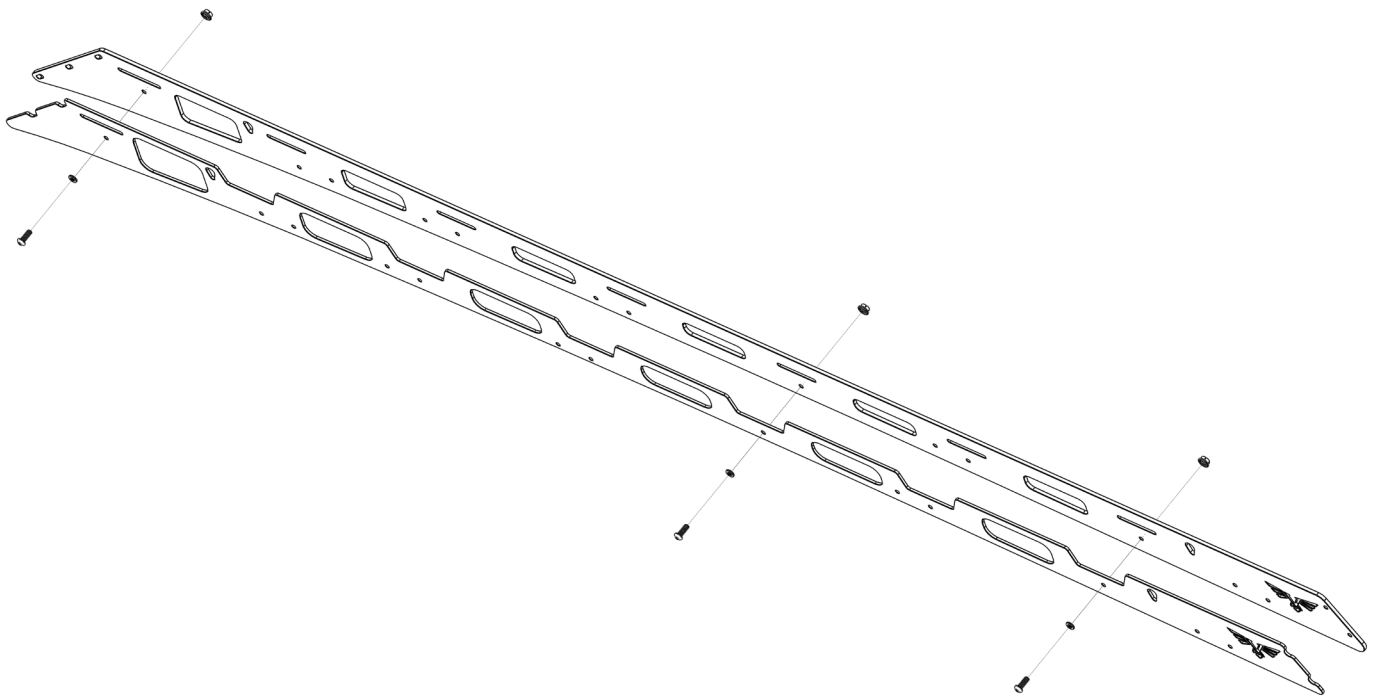
2x



Accent Side Plate

INSTALLATION

- 1.** Start by removing the (2) roof rack side panels off the vehicle (for those with our roof rack already installed). Take (3) of the provided black 1/4" button heads, washers and flange nuts, and one Accent Side Plate. Use the hardware to secure the Accent Side Plate to the Roof Rack side panel as shown in the orientation below (driver side). If you have an older version of our roof rack, you will need to drill out the (3) mounting holes on the locations shown below. Repeat this process on both sides of the rack.



INSTALLATION

2. With the new Accent Side Plate bolted to the roof rack side panel, you can now assemble the rest of the roof rack as normal. The roof rack mounts on each side will bolt through both the roof rack side panel and the new Accent Side Plate. Check out our roof rack install video and installation document for more information on the roof rack assembly and install. Repeat this process on both sides of the vehicle to complete your install.

