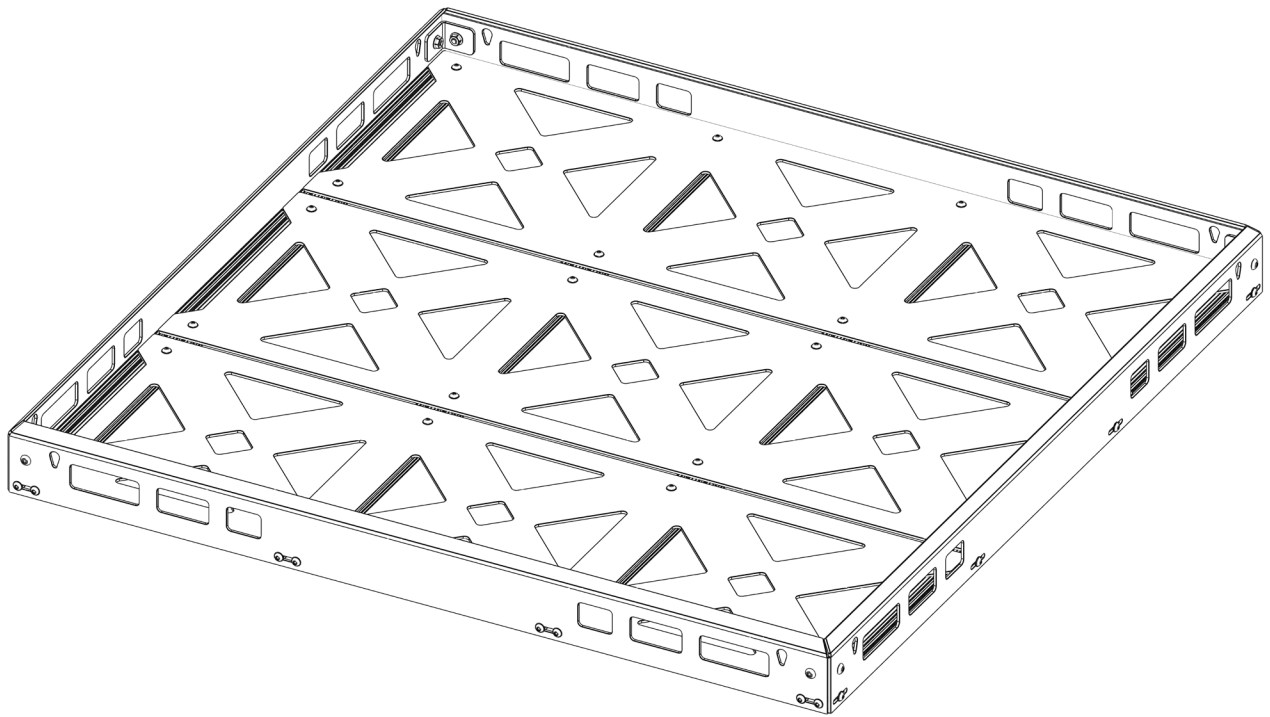




VICTORY 4X4

# UNIVERSAL CARGO BASKET

## INSTALL INSTRUCTIONS

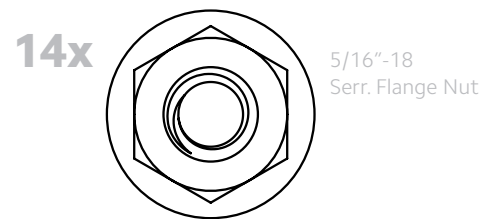
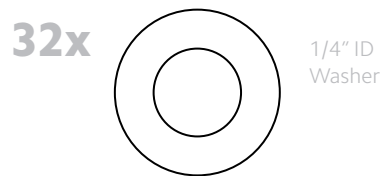
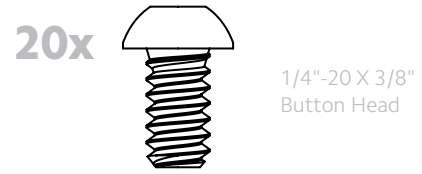


**Please read the mounting instructions below carefully before attempting to install.**

**Check out the install video on the product page for factory rack disassembly.**

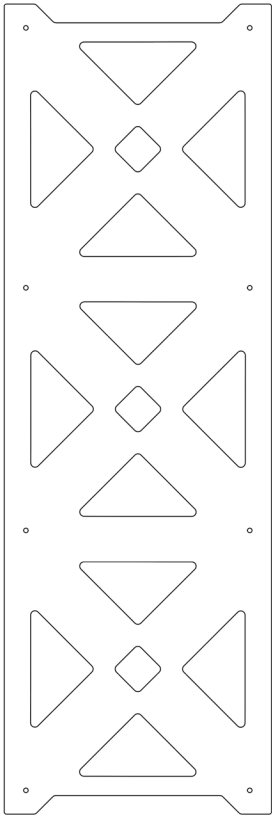
Thank you for purchasing from Victory 4x4! Checkout our website, [victory4x4.com](http://victory4x4.com) for other great off-road products. Be sure to rate and review our product online. If you have any questions or are missing parts, please don't hesitate to call us at 269-459-8447!

# INCLUDED HARDWARE



# INCLUDED PARTS

3x



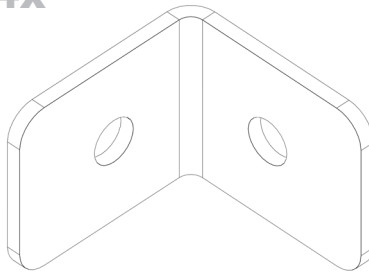
4x



4x

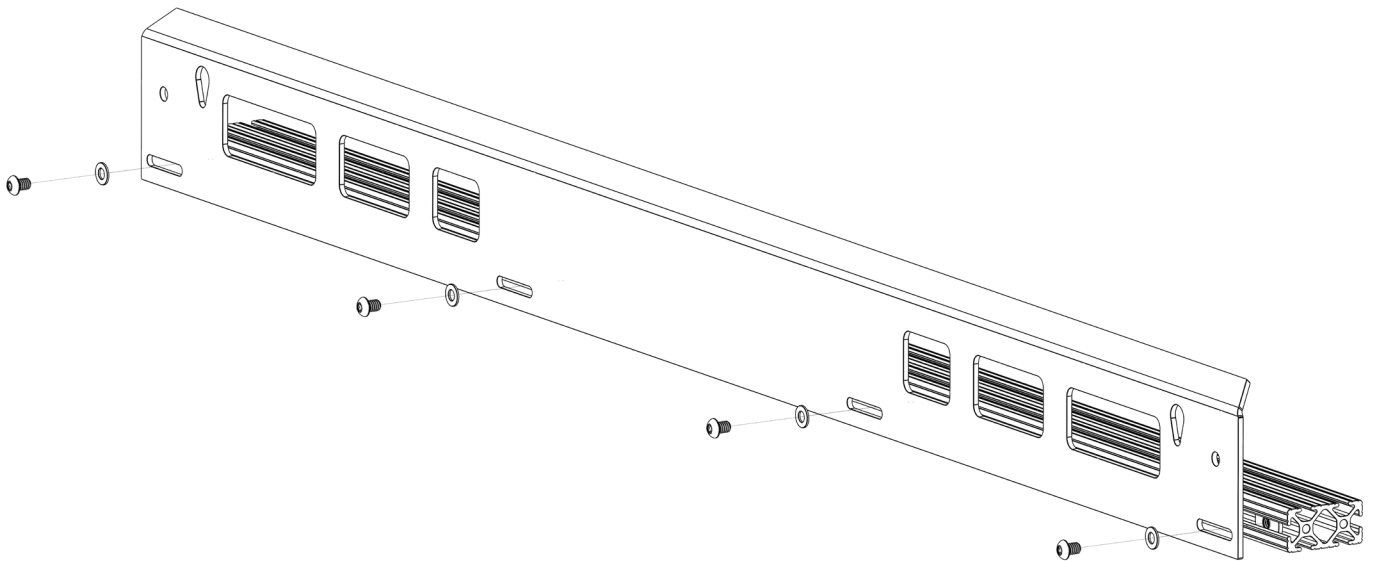


4x



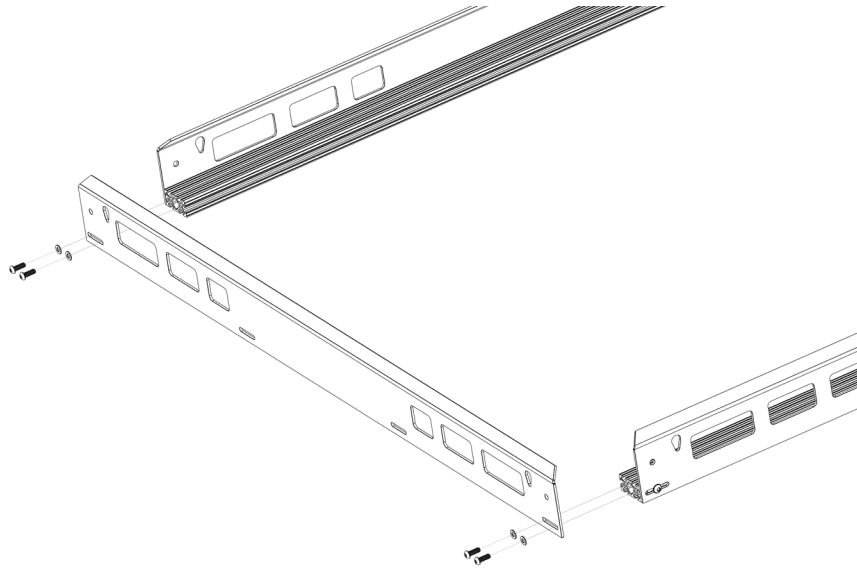
# ASSEMBLY

- 1** Start by attaching a side panel to the thinner side of two of the cross bars. Slide 4 of the 1/4"-20 T-nuts into the channel on the side of the bar, then line them up with the slots in the side panel and bolt them together using the 1/4"-20 X 3/8" bolts and 1/4" washers. There are slots cut into the channels on one side of each bar. You must decide whether you want those on the top or bottom. It just depends on which side you think you might need to slide fasteners into more often.

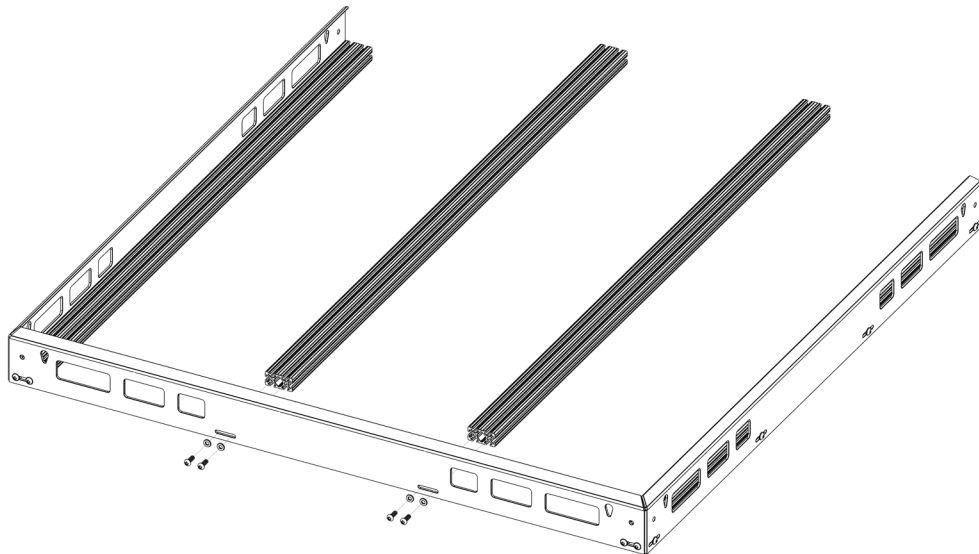


# ASSEMBLY

- 2** Next, attach a 3rd side panel to the ends of both cross bars. Line the slots on either end of it up with the 2 holes on each of the cross bars and bolt them together using the 1/4"-20 X 3/4" bolts and 1/4" washers. Leave the bolts loose for now.

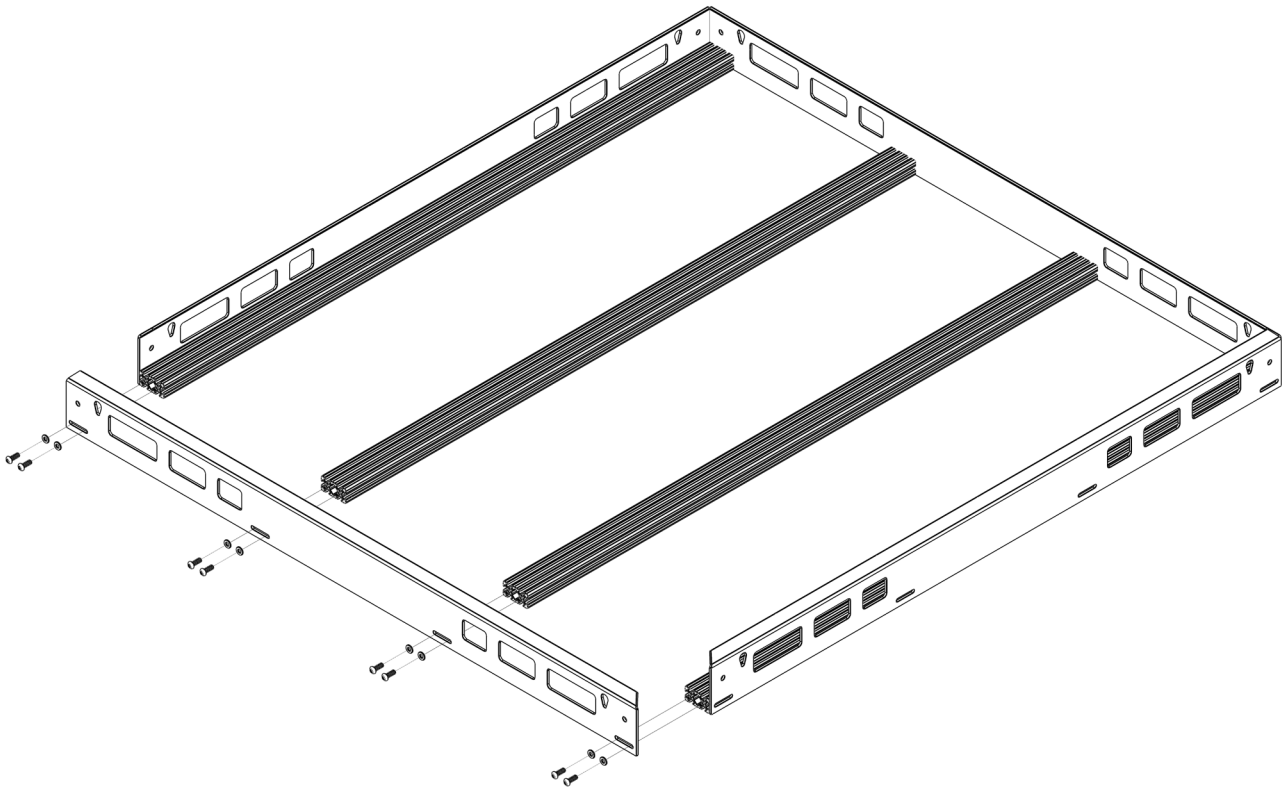


- 3** Next, mount the 2 remaining cross bars to the side panel you just installed. They install in the exact same way as the first two. Be sure to leave them somewhat loose as well.



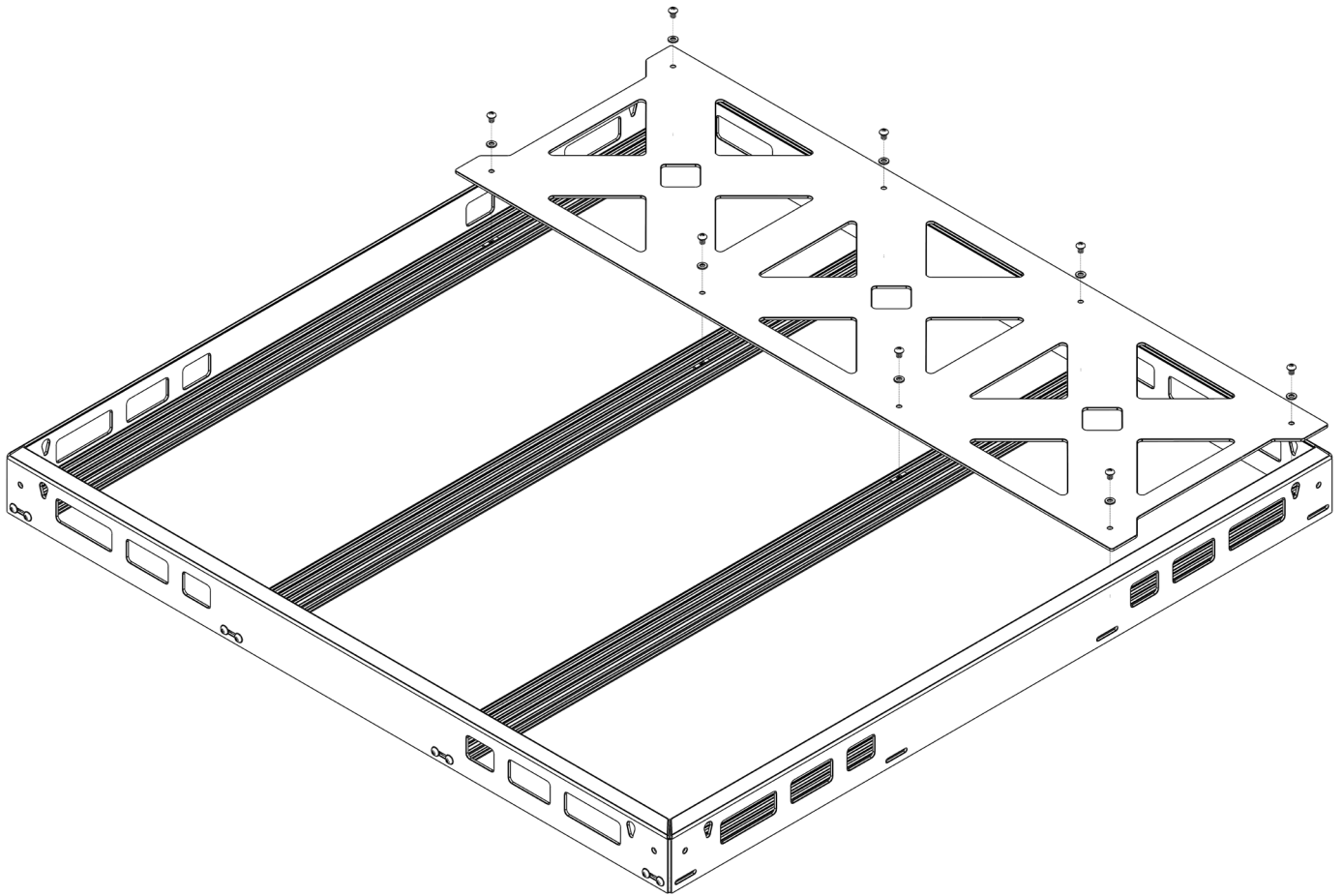
# ASSEMBLY

- 4 With all the bars loosely installed, bolt the final side panel on to all of them in the same way the third side panel went on. Before bolting it on, slide 6 T-nuts into the channel that is closer to the middle of the basket on each bar. These will be used to mount the floor panels.



# ASSEMBLY

- 5** Next, attach the floor panels to the tops of the cross bars. To do this, place a panel onto the bars so that it is perpendicular to the direction of them. Then, slide the T-nuts into position so that they are beneath the holes in the panel. After that, bolt them together using the 1/4"-20 X 3/8" bolts and 1/4" washers. You may need to slide the bars around to line the holes up as well. Once the floor panels are all in place, go back around and tighten all the bolts you left loose earlier.



# ASSEMBLY

- Finally, bolt the small corner brackets into each corner using the 5/16-18 X 3/4" bolts and 5/16"-18 serr. flange nuts.

