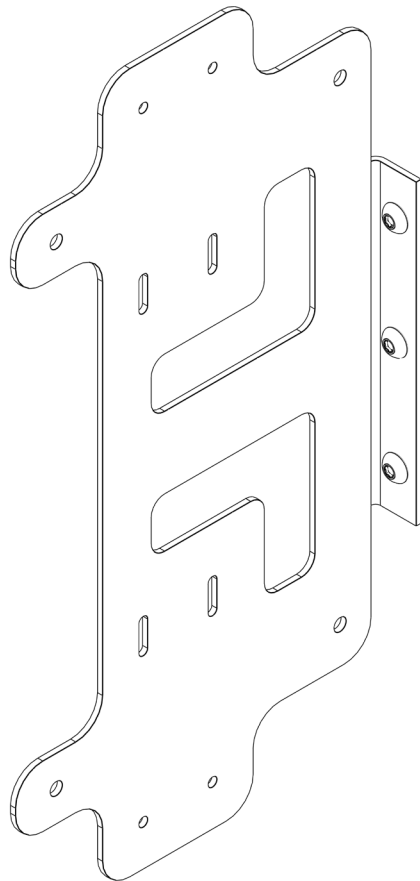




VICTORY 4X4

ROTOPAX/MAXTRAX CARRIER

INSTALL INSTRUCTIONS



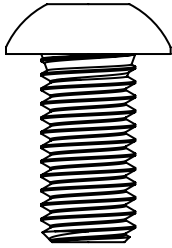
Please read the mounting instructions below carefully before attempting to install.

Be sure to check out the install video on the product page, if available.

Thank you for purchasing from Victory 4x4! Checkout our website, victory4x4.com for other great off-road products. Be sure to rate and review our product online. If you have any questions or are missing parts, please don't hesitate to call us at 269-459-8447!

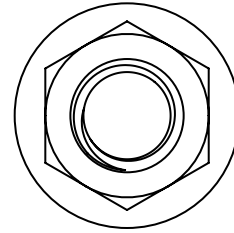
INCLUDED HARDWARE

3x



1/2"-13 X 1"
Button Head

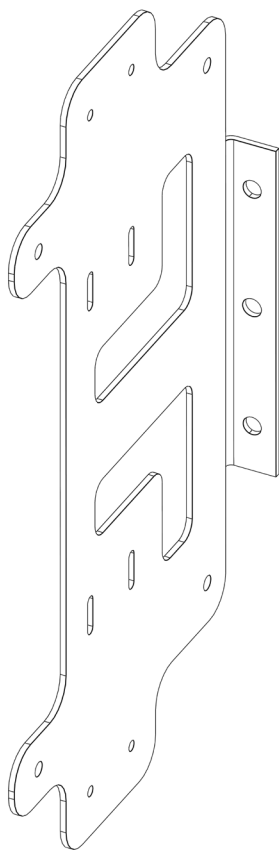
3x



1/2"-13
Serr. Flange Nut

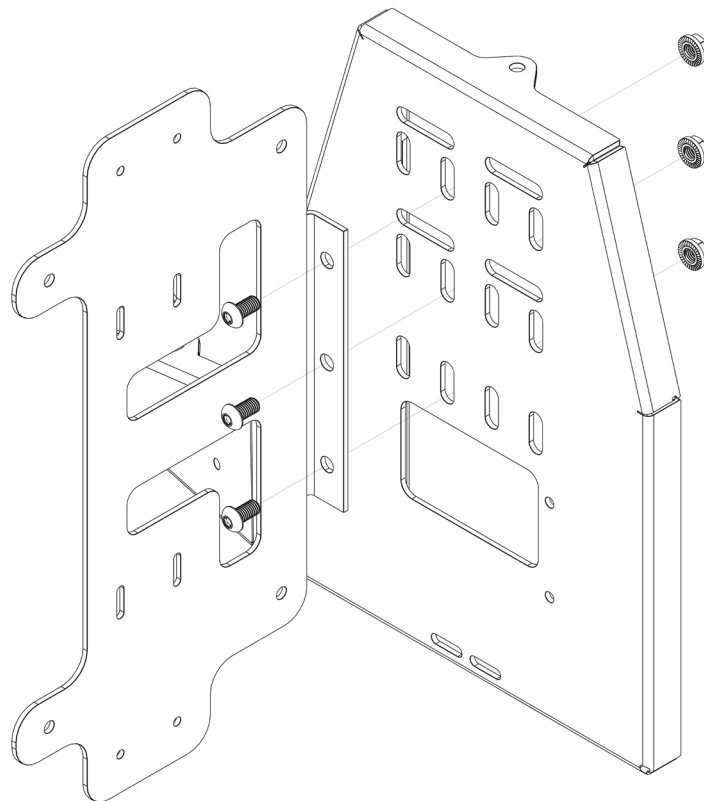
INCLUDED PARTS

1x



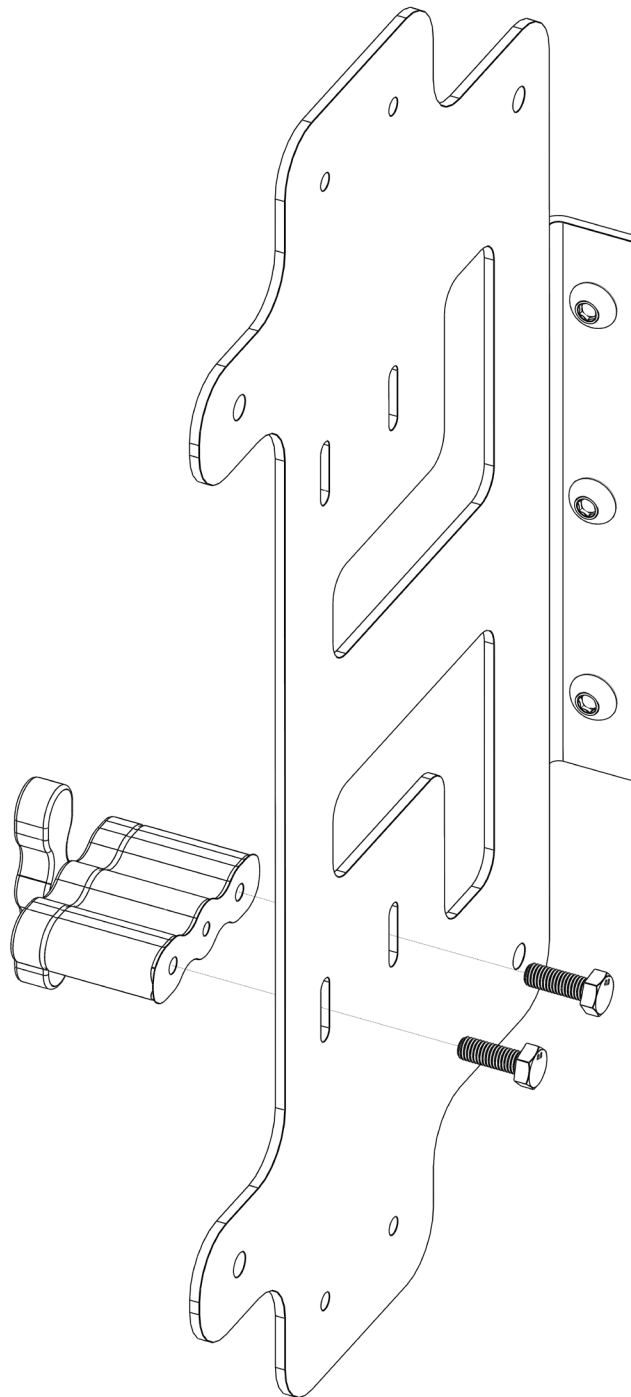
INSTALLATION

- 1** To install the MAXTRAX/ROTOPAX carrier, simply bolt it into any of the columns of slots on the Adventure Carrier. Do this using the 1/2"-13 X 1" button head bolts and 1/2"-13 serr. flange nuts.



INSTALLATION

- 2** If you are installing a ROTOPAX, attach the mount to one of the sets of slots using the hardware that comes with it. If you are mounting a larger ROTOPAX, you will need to attach a mount to each of the sets of slots.



INSTALLATION

- 3** If you are mounting a MAXTRAX, you will need a TRACBO-BP. Insert a carriage bolt provided in the bolt pack through each of the four larger holes and place your MAXTRAX over them so that the bottom two bolts go through the small mounting holes on the bottom of the board and the top bolts go through the middle handle. Then, secure it in place using the plastic spacer, washer, and wingnut provided in the bolt pack as shown below. Notice that the order of the hardware is different on the top bolts than the bottom bolts.

